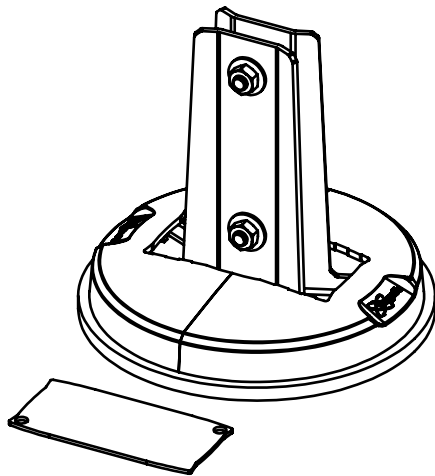


Product data sheet

PUC 1910

Dimensions in mm [inch]



Accessoires:

2x Floorcap
Drilling template
Drop protection plate

Mounting kit:

2x Hexagon bolt M10x40
4x Hexagon bolt M10x20
2x Hexagon nut M10
8x Washer M10

