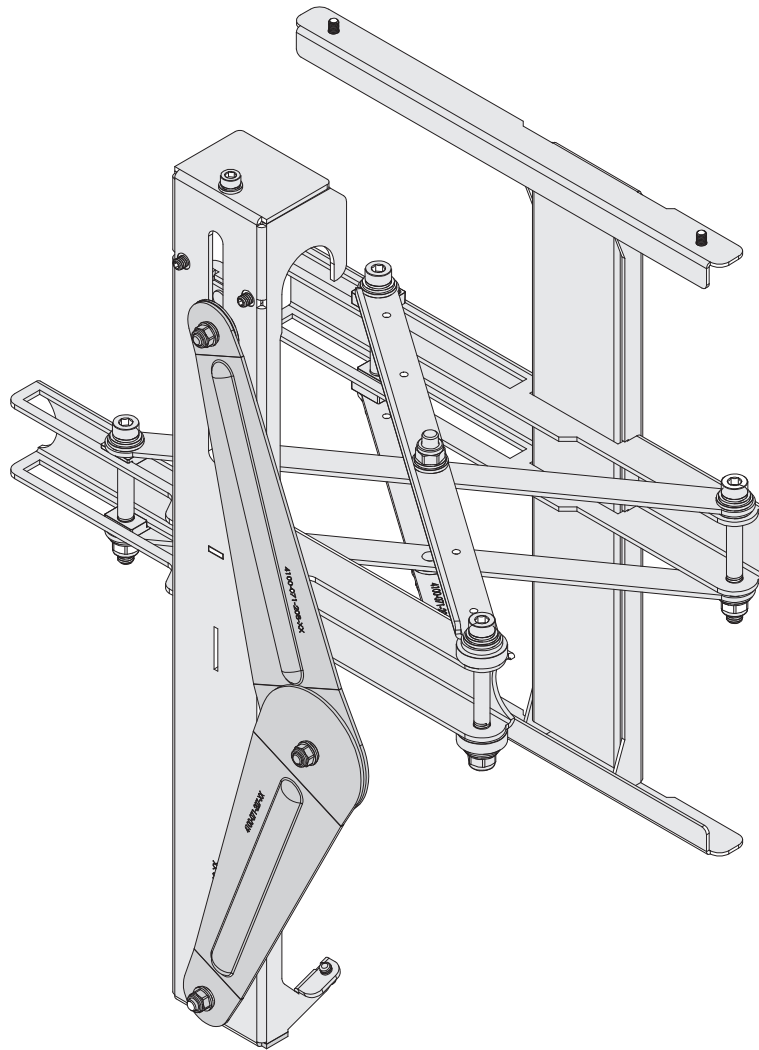


# PFA 9139

## Installation Guide

Installationsanleitung, Guía de Instalación, Guida de Installazione,  
Guide d'Installation, Installatie gids



- (GB) Subject to printing errors and technical amendments.
- (NL) Drukfouten en technische wijzigingen voorbehouden.
- (F) Sous réserve de fautes d'impression et de modifications techniques.
- (D) Für Druckfehler übernehmen wir keine Verantwortung.  
Technische Änderungen vorbehalten.
- (E) Reservados errores de imprenta y sujeta a modificaciones.
- (I) Con riserva di modifiche tecniche e di eventuali errori di stampa.
- (P) Reserva-se a ocorrência de gralhas e de modificações técnicas.
- (H) Nyomdahibák és technikai változtatások joga fenntartva.
- (PL) Zastrzega się możliwość występowania błędów drukarskich i zmian technicznych.
- (RUS) Возможны ошибки при печати и технические модификации.

Designed and engineered in the Netherlands  
More information on: [www.vogels.com](http://www.vogels.com)

VOGEL'S PRODUCTS BV, HONDSRUGLAAN 93, 5628 DB EINDHOVEN, THE NETHERLANDS



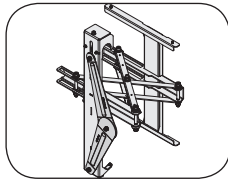
Max: 72kg/160lbs

# PFA 9139

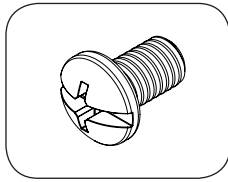
## Installation Guide

Installationsanleitung, Guía de Instalación, Guida de Installazione, Guide d'Installation, Installatie gids

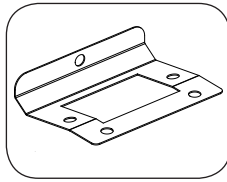
### Included Components



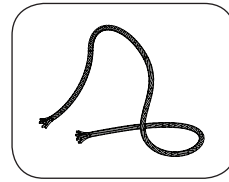
Mosaic Mount



M5 x 8mm Pan  
Screw (Qty 4)



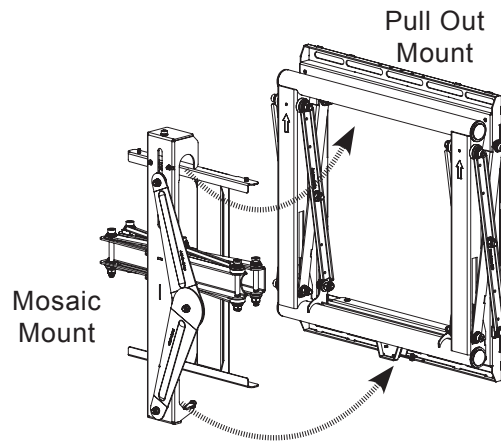
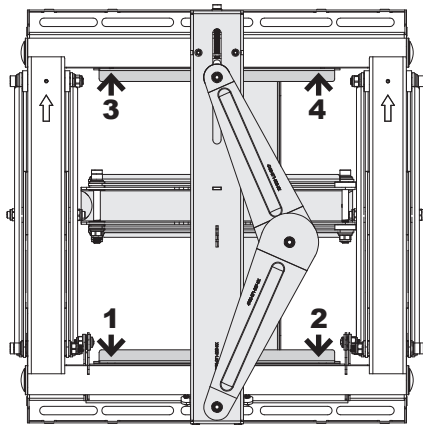
Spring Latch Lock  
(Qty 1)



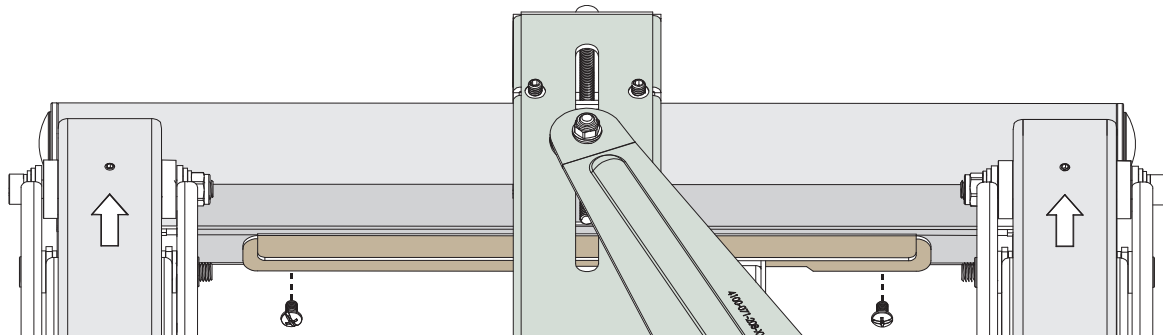
1/8" String (Qty 1)

**Mosaic Mount (PFA 9139) must be installed with the Portrait Pull Out Mount (PFW 6875), sold separately.**

1



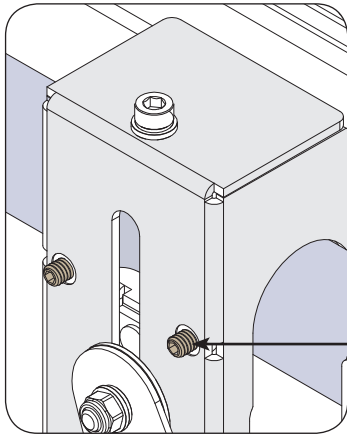
1. Unscrew and set aside the (2) M5 x 8mm Comb Screw located near the bottom of the mount.
2. Attach the Mosaic Mount into the Pull Out Mount and refasten using additional M5 x 8mm screws.



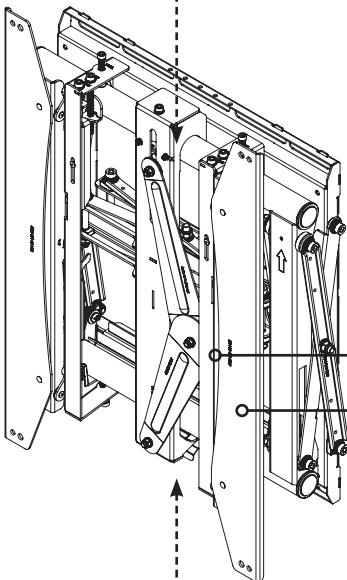
# PFA 9139 Installation Guide

Installationsanleitung, Guía de Instalación, Guida de Installazione, Guide d'Installation, Installatie gids

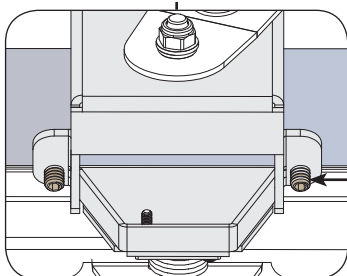
2



M6 x 20mm  
Set Screw

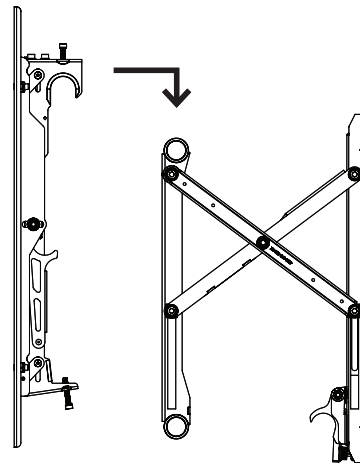


Display Brackets  
Wing Adapters



M6 x 20mm  
Set Screw

1. Tighten the (2) M6 x 20mm Set screws on top and bottom to keep the Mosaic Mount secured.
2. Follow the steps within the PFW 6875 installation manual.
3. Install the Display Brackets with Wing Adapters onto the LCD. Hook the brackets to the mount or set aside and revisit for ease of installation.



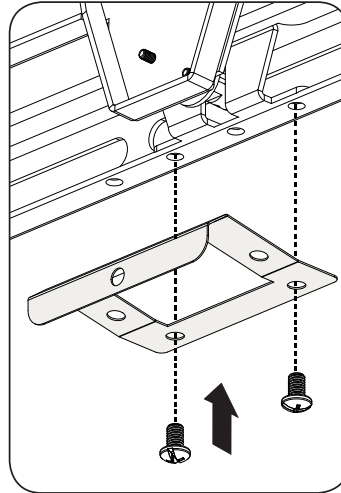
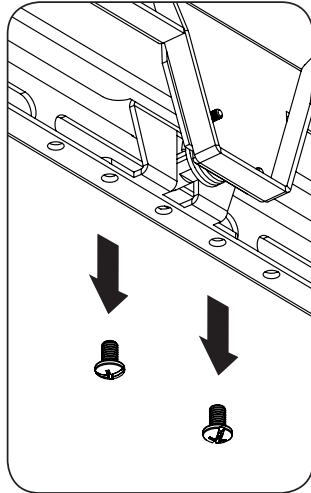
# PFA 9139

## Installation Guide

Installationsanleitung, Guía de Instalación, Guida de Installazione, Guide d'Installation, Installatie gids

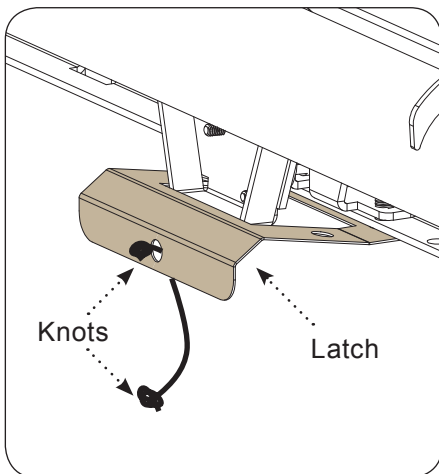
3

1. Unscrew and set aside (2) M5 x 8mm screw located at the bottom of the mount.
2. Install the Latch using the same screws.

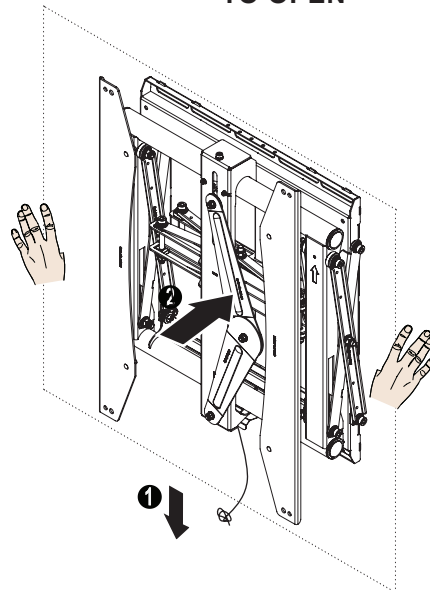


4

1. Insert the string into the latch.
2. Tie a knot on each end of the string.



TO OPEN



To release the mount, pull down the string than push evenly on the display.

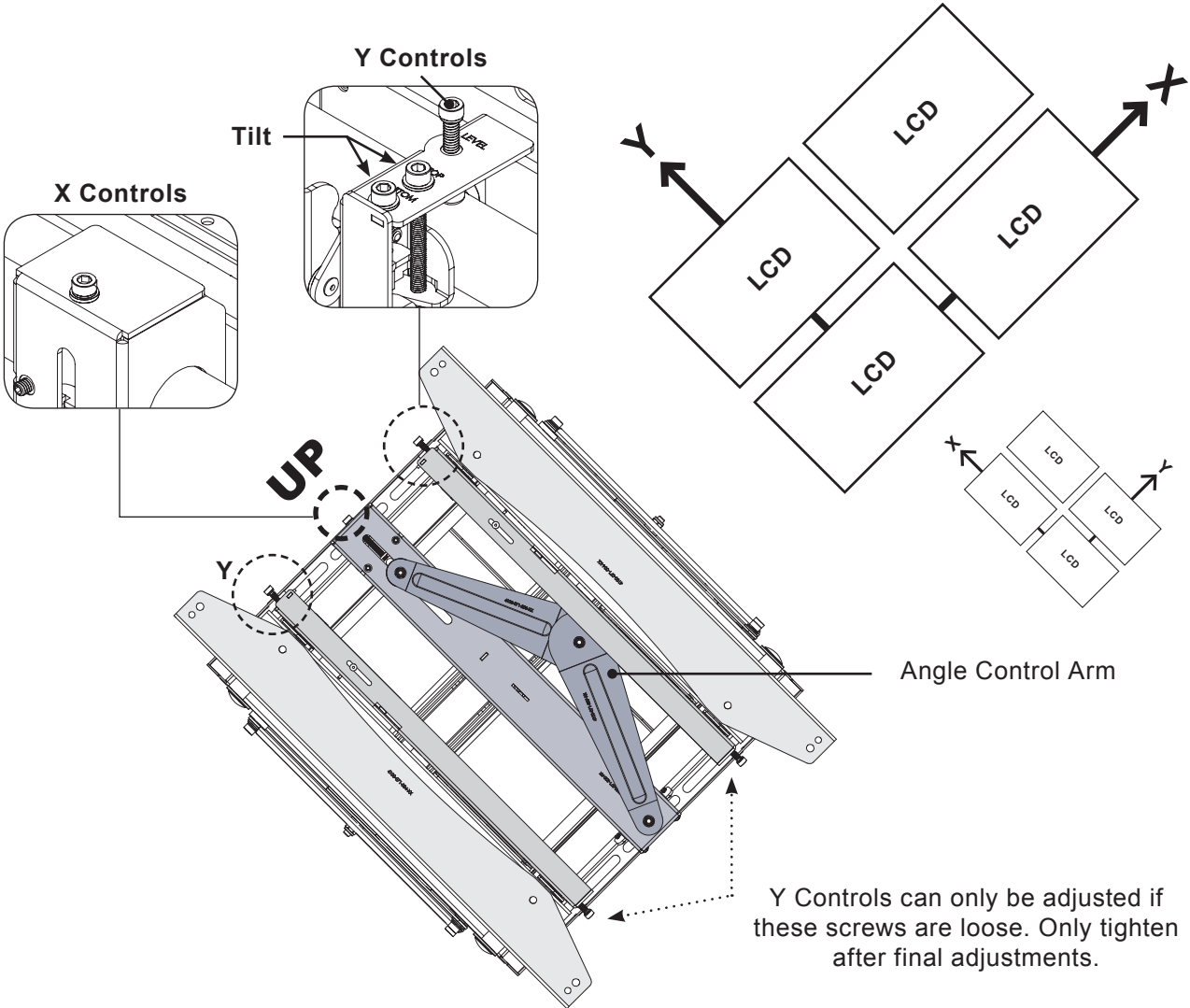


**DO NOT PRESS ON THE CENTER OF THE DISPLAY.**



5

**CONTROLS**



# PFA 9139

## Installation Guide

Installationsanleitung, Guía de Instalación, Guida de Installazione, Guide d'Installation, Installatie gids

6

### ORIENTATION

Plan the ideal location and arrays when using multiple units.

Install the mount with the following conditions:

- X and Y Controls must be facing upward
- Angle Control Arm must be pointed in either direction shown below.
- The angle of the entire mount must not exceed 45° from the vertical axis.

Notes: The direction of the Angle Control Arm can be adjusted by reinstalling the three pivot points.

