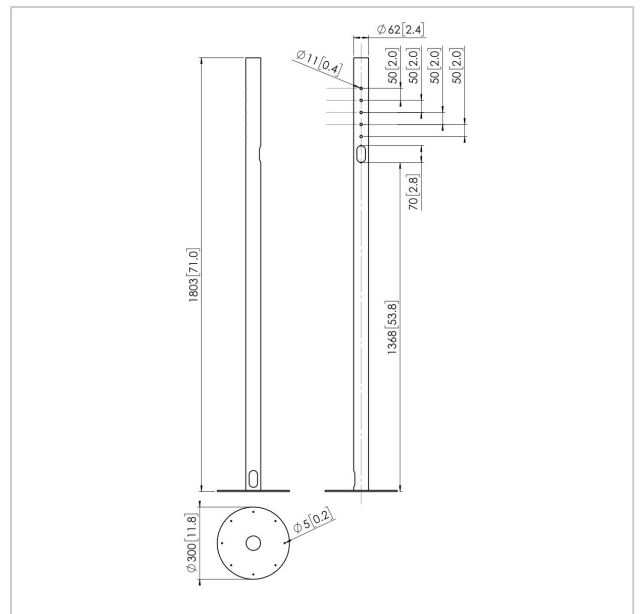


PFA 9011 Display floor mounting stand

Article number (SKU) 7390114
 Colour Silver

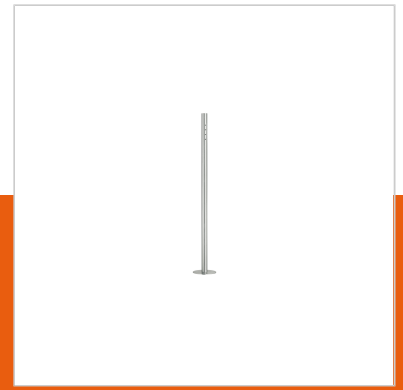
The PFA 9011 flat display fixed floor stand can be used to mount a LCD/Plasma display on the floor (in combination with other modular parts).

The PFA 9011 flat display fixed floor stand is part of a modular system which enables you to create your own floor mounting solution for LCD/Plasma TV's. As a next step you can attach one or more turn and tilt units (PFA 9001 / 9002) followed by your choice of universal flat display interfaces (FAU 3125/ 3150), depending on the display. The PFA 9011 is made of stainless steel, can be screw-mounted to the floor and has Cable Inlay System. The height is 180 cm.



PFA 9011 Display floor mounting stand

www.vogels.com



VOGEL'S HOLDING BV 2019 (c) All rights reserved.
Subject to printing errors, technical and price amendments.
Date:2019-05-10

Specifications

Product type number	PFA 9011
Article number (SKU)	7390114
Colour	Silver
EAN single box	8712285306914
TÜV certified	Yes
Guarantee	5 years
Max. weight load (kg)	60
Max. screen size (inch)	65
Min. screen size (inch)	19

