



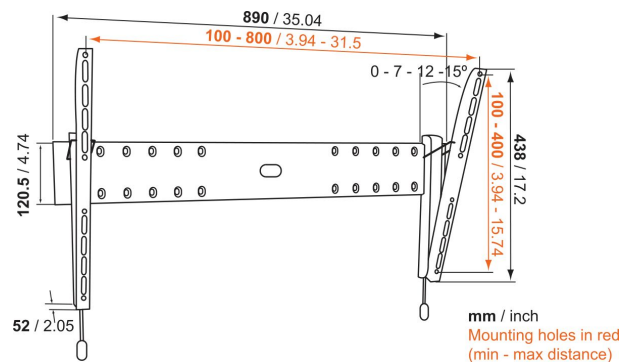
## BASE 15 L Tilting TV Wall Mount

### Key Benefits

- Strong and Simple: solid, secure solutions to mount your TV
- Tilt (up to 15°) to avoid reflections
- Lock your TV securely in place

### For TVs up to 65 inch (165 cm)

The BASE 15 L is a durable TV wall mount, suitable for 40 to 65 inch (102 to 165 cm) TVs weighing up to 45 kg (99 lbs). Tilt your TV for a great viewing angle. With the BASE 15 L, you can tilt your TV forward up to 15 degrees to get a great viewing angle. That means you can mount your TV higher up on the wall - saving even more space without sacrificing your TV watching experience.



## BASE 15 L Tilting TV Wall Mount



# Specifications

Article number (SKU)	8343315
Colour	Black
EAN single box	8712285324321
Product size	L
TÜV certified	Yes
Tilt	Tilt up to 15°
Guarantee	Lifetime
Min. screen size (inch)	40
Max. screen size (inch)	65
Max. weight load (kg/Lbs)	45 / 99.21
Min. hole pattern	100mm x 100mm
Max. hole pattern	800mm x 400mm
Max. bolt size	M8
Max. height of interface (mm)	438
Max. width of interface (mm)	889
Certifications	TÜV
Min. distance to the wall (mm / inch)	52 / 2.05
Service position	No
Spirit level included	No
Universal or fixed hole pattern	Universal

VOGEL'S HOLDING BV (©)

All rights reserved.  
Subject to printing errors,  
technical and price  
amendments.

Date: 2023-01-15



**Vogel's.** For Sure.