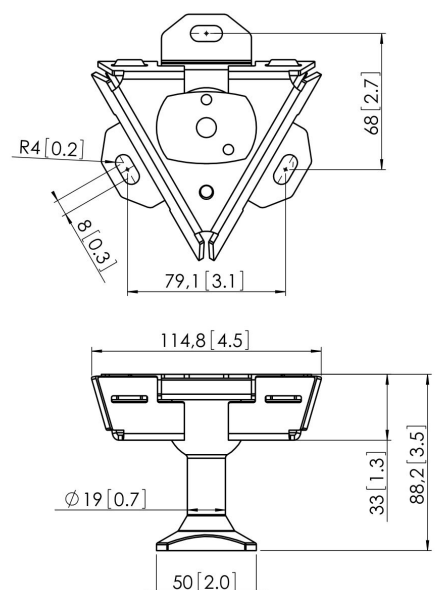


PUC 1040 Ceiling plate multidirectional

The PUC 1040 ceiling plate is a part of the modular Connect-it system with which you can create your own ceiling solution for small- to medium-sized displays.





PUC 1040 Ceiling plate multidirectional



Specifications

Article number (SKU)	7210404
Colour	Silver
EAN single box	8712285317101
TÜV certified	Yes
Tilt	Tilt up to 90°
Turn	Up to 360°
Guarantee	5 years
Max. weight load (kg/Lbs)	30 / 66.14
Ceiling plate options	Inclined (multi directional)
Fischer inside	Yes
Height options	Fixed height
Max. distance to ceiling - center display (mm)	85
Min. distance to ceiling - center display (mm)	85

VOGEL'S HOLDING BV (©)

All rights reserved.
Subject to printing errors,
technical and price
amendments.

Date: 2023-01-14



Vogel's. For Sure.