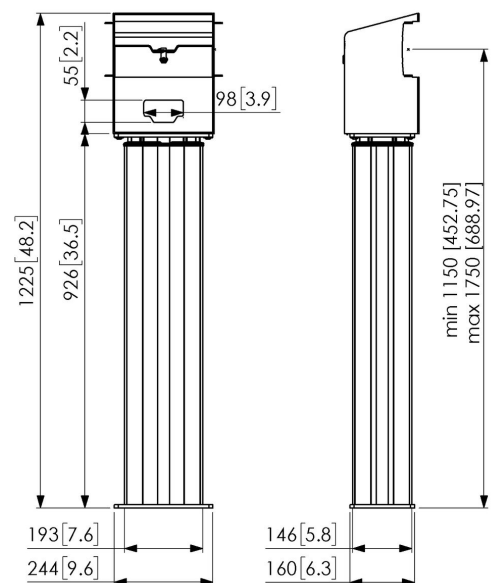
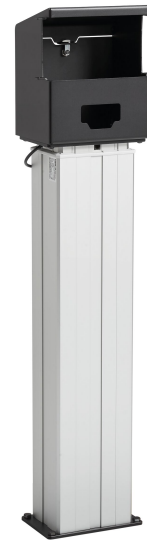
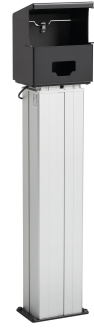




## PFFE 7131 Motorized display lift

Vogel's' motorized display lift is part of the modular Connect-it system. Together with the PFA 9134, PFF 7025 or PFT 8525 you can create floor or mobile solutions which allows educators and presenters to bring their content to new heights.





## PFFE 7131 Motorized display lift

# Specifications

Article number (SKU)	7371314
Colour	Silver
EAN single box	8712285337185
TÜV certified	Yes
Guarantee	5 years
Min. screen size (inch)	50
Max. screen size (inch)	88
Max. weight load (kg/Lbs)	150 / 330.69
Max. distance to floor - center display (mm)	1750
Min. distance to floor - center display (mm)	1150
Motorized	Yes
Remote controlled	Yes
Height adjustment (mm)	600

VOGEL'S HOLDING BV (©)

All rights reserved.  
Subject to printing errors,  
technical and price  
amendments.

Date: 2023-01-14



**Vogel's.** For Sure.