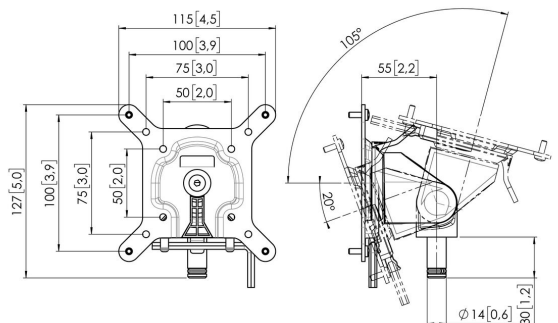




MOMO C501 Monitor Interface Component, Motion and Motion Plus (black)

Største fordele

Build your ideal monitor arm The MOMO C501 Monitor Interface Component is part of MOMO Motion and Motion +. Specially designed for mounting your monitor. Suitable for monitors with a VESA of 50x50, 75x75, and 100x100. This monitor interface allows you to turn, rotate, and tilt your monitor. Endless possibilities Create a multi-monitor set-up with just a few components. Including both straight and angled positions. MOMO monitor arm accessories and components are installed using just one allen (hex) key, cleverly integrated into the product. So you'll always have the right tool at hand.





MOMO C501 Monitor Interface Component, Motion and Motion Plus (black)



Specifikationer

Varenummer	7165010
Farve	Sort
EAN enkelt pakke	8712285354625
TÜV-certificeret	Ja
Garanti	10 år
Maks. skærmstørrelse (tommer)	43
Universelt eller fast hulmønster	Fast

VOGEL'S HOLDING BV (©)

All rights reserved.
Subject to printing errors,
technical and price
amendments.

Date: 2023-06-16



Vogel's. For Sure.