



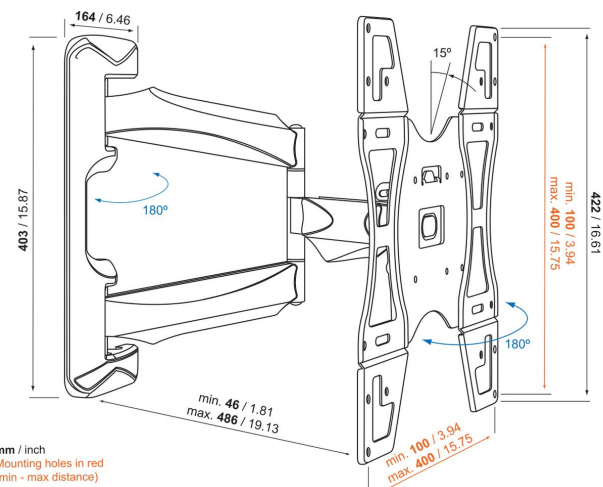
BASE 45 M Full-Motion TV Wall Mount

Key Benefits

- Strong and Simple: solid, secure solutions to mount your TV
- Smoothly turn your TV up to 180°
- Tilt (up to 15°) to avoid reflections

For TVs up to 55 inch (140 cm)

BASE 45 M is a durable TV wall mount, suitable for 32 to 55 inch (81 to 140 cm) TVs weighing up to 30 kg (66 lbs). Extra wide angle of rotation for an excellent viewing experience! The BASE 45 M has an extra-wide turn angle of up to 90 degrees left or right. That means you can get the perfect viewing angle from anywhere in the room, and possibly even from adjacent rooms. You can fold it flat against the wall when you're not watching TV, for the best of both worlds.





BASE 45 M Full-Motion TV Wall Mount

Specifications

| | |
|---------------------------------|-----------------------------|
| Article number (SKU) | 8343245 |
| Colour | Black |
| EAN single box | 8712285324284 |
| Product size | M |
| TÜV certified | Yes |
| Tilt | Tilt up to 15° |
| Turn | Full motion (up to 180°) |
| Guarantee | Lifetime |
| Min. screen size (inch) | 32 |
| Max. screen size (inch) | 55 |
| Max. weight load (kg) | 30 |
| Max. bolt size | M8 |
| Max. height of interface (mm) | 422 |
| Max. width of interface (mm) | 427 |
| Cable management | Integrated cable management |
| Max. distance to the wall (mm) | 486 |
| Min. distance to the wall (mm) | 46 |
| Service position | No |
| Spirit level included | No |
| Universal or fixed hole pattern | Fixed |

VOGEL'S HOLDING BV (©)

All rights reserved.
Subject to printing errors,
technical and price
amendments.

Date: 2022-06-01



Vogel's. For Sure.