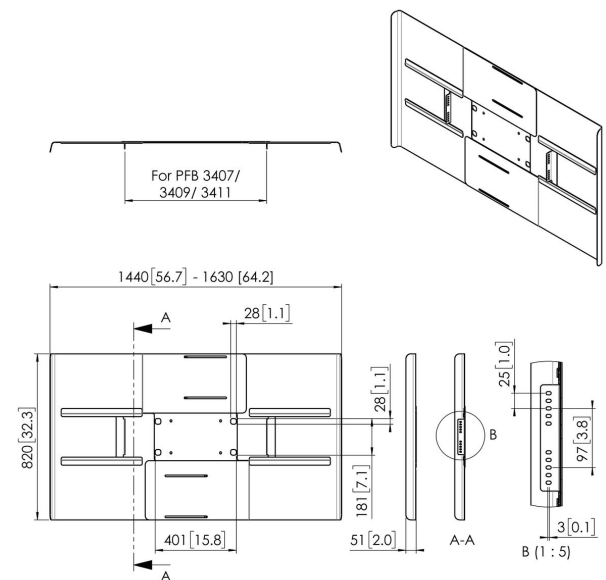
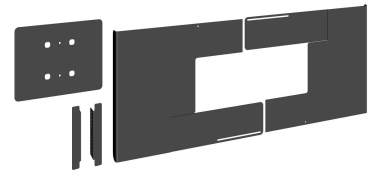


PFA 9159 Back Cover landscape 65-70"

Universal display rear covers are designed to cover the rear of the display, hiding cables and players from view and to prevent for tampering. The rear covers can be used in combination with Connect-it ceiling and Connect-it floor solutions. The PFA 9159, PFA 9161 and PFA 9163 are for double pole landscape mounting. The PFA 9160, PFA 9162 and PFA 9164 are for double pole portrait mounting.





PFA 9159 Back Cover landscape 65-70"

Specifications

Article number (SKU)	7291590
Colour	Black
EAN single box	8712285350627
Guarantee	5 years
Max. screen size (inch)	70
Min. screen size (inch)	65

VOGEL'S HOLDING BV (©)

All rights reserved.
Subject to printing errors,
technical and price
amendments.

Date: 2023-01-26