



PFTE 7111 Display trolley motorized with cabinet

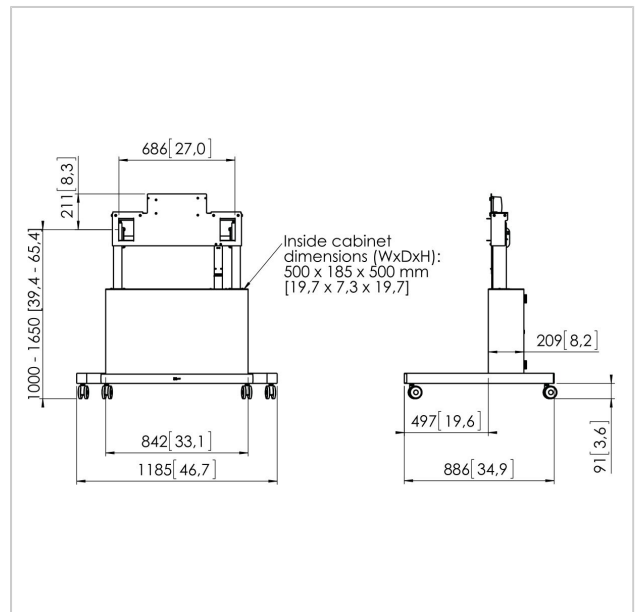
Article number (SKU) 7371114
Colour Silver

Key Benefits

- Adjustable in height up to 65 cm
- Ample storage space for AV equipment
- Solid construction
- Suitable for heavy displays

Vogel's designed the PFTE 7111 motorized height adjustable trolley especially for large LCD/plasma displays and large touch screen displays. It is ideal for use in schools, businesses, office centers and for video conferencing. The operation of the PFTE 7111 is extremely quiet and smooth. The touch screen trolley can be used for displays up to 85 inches and 160 kg. PFB 3402 / PFB 3405 not possible.

Two internal motors give the PFTE 7111 display trolley a height adjustment range of 65 cm. The trolley includes a lockable cabinet for a PC, cable socket and excess cable. The wide wheelbase and large casters make it very stable and safe. Add the Connect-it display interface matching the display of choice. The display interface is not included as it varies for each display.





PFTE 7111 Display trolley motorized with cabinet

www.vogels.com



VOGEL'S HOLDING BV 2019 (c) All rights reserved.
Subject to printing errors, technical and price amendments.
Date:2020-10-08

Specifications

Product type number	PFTE 7111
Article number (SKU)	7371114
Colour	Silver
EAN single box	8712285323560
TÜV certified	Yes
Guarantee	5 years
Min. screen size (inch)	42
Max. screen size (inch)	86
Max. weight load (kg)	160
Max. distance to floor - center display (mm)	1650
Min. distance to floor - center display (mm)	1000
Motorized	True
Remote controlled	Yes
Travel	650

