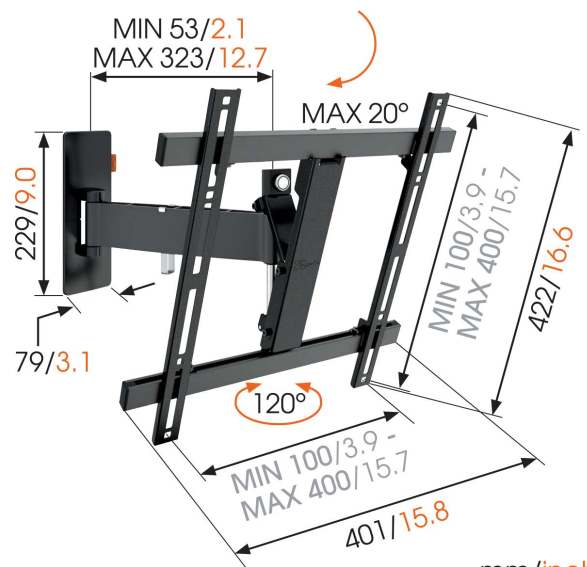




WALL 2225 Full-Motion TV Wall Mount (black)

For TVs up to 55 inch (140 cm)

The WALL 2225 TV wall mount is suitable for 32 to 55 inch (81 to 140 cm) TVs. This sturdy mount supports up to 20 kg (44 lbs). Get the perfect viewing angle. Place a TV in a handy spot on the wall or in a corner of your bedroom, dining room or a kid's room with the WALL 2225 TV wall mount. Easily swing your TV away from the wall and tilt it up or down for the perfect view.



mm/inch
VESA mounting holes



WALL 2225 Full-Motion TV Wall Mount (black)

Specifications

Article number (SKU)	8352070
Colour	Black
EAN single box	87 12285324383
Product size	M
Tilt	Tilt up to 20°
Turn	Motion (up to 120°)
Guarantee	Lifetime
Min. screen size (inch)	32
Max. screen size (inch)	55
Min. hole pattern	100mm x 100mm
Max. hole pattern	400mm x 400mm
Max. bolt size	M8
Max. height of interface (mm)	422
Max. width of interface (mm)	401
Max. distance to the wall (mm)	320
Min. distance to the wall (mm)	55
Number of pivot points	2
Universal or fixed hole pattern	Universal

VOGEL'S HOLDING BV (©)

All rights reserved.
Subject to printing errors,
technical and price
amendments.

Date: 2022-06-02