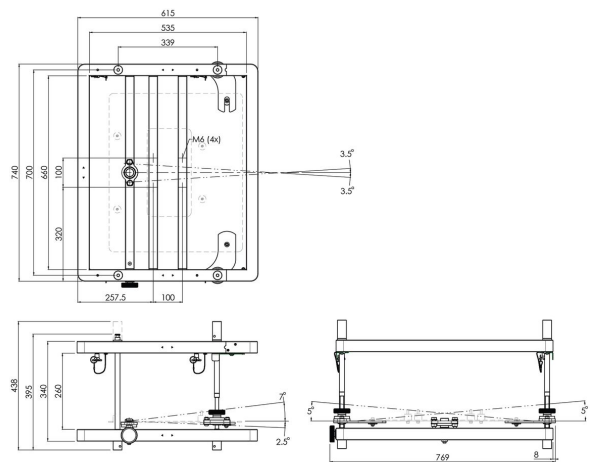




S112.4210 Stack Frame, max. 590x500x210 (w×l×h)

This lightweight but sturdy aluminium stack frame (small 210) is ideal for rental applications. Equipped with a removable front and detailed adjustment along three axes, they offer versatile mounting options.





S112.4210 Stack Frame, max. 590x500x210 (w|x|h)



Specifications

Max. weight load (kg)	100
Max. weight load (Lbs)	220.46
Length	615
Height	438
Width	769
Article number (SKU)	S112.4210
EAN single box	8718868872227
Colour	Black
Guarantee	5 years

VOGEL'S HOLDING BV (©)

All rights reserved.
Subject to printing errors,
technical and price
amendments.

Date: 2024-09-26