

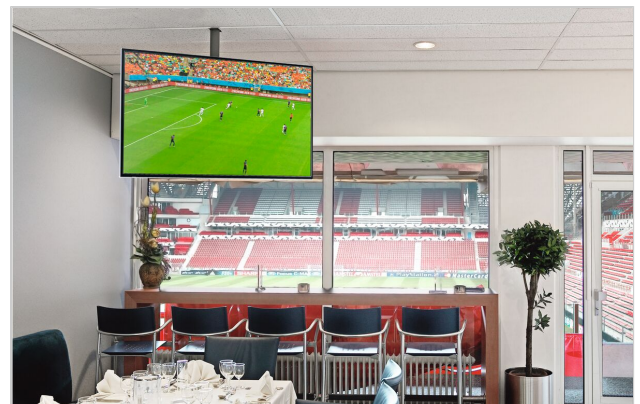
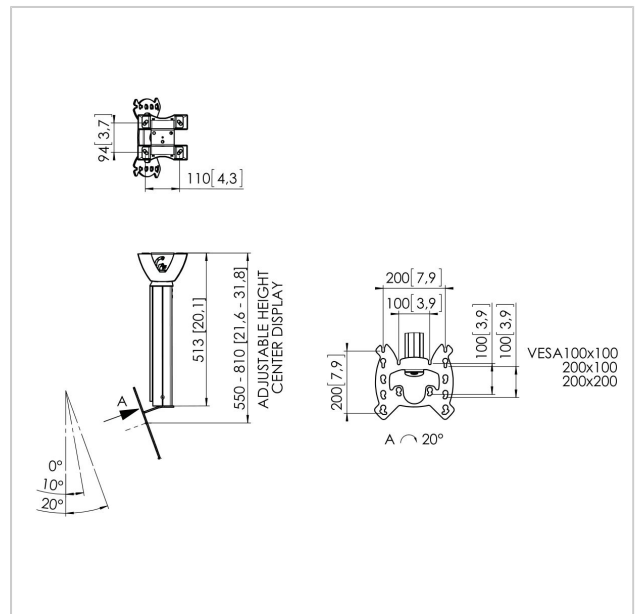
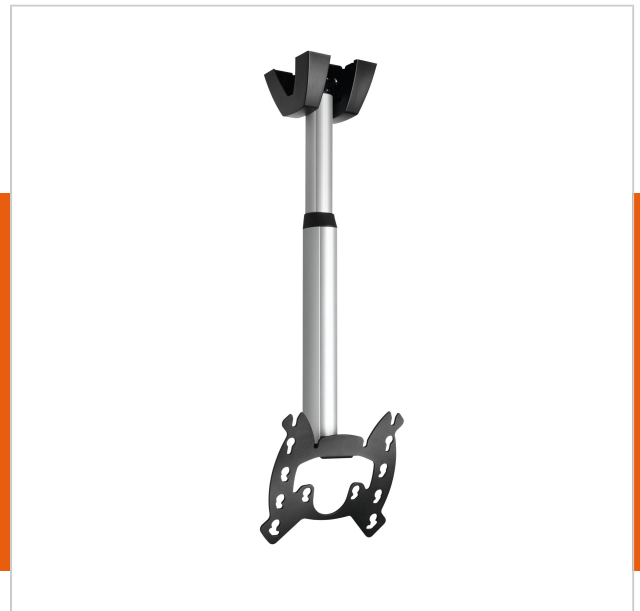
PFC 555 Display ceiling mount

Article number (SKU) 7305554
 Colour Silver

Key Benefits

- Adjustable in height
- Cable management
- Post-installation levelling

The PFC 555 display ceiling mount includes a ceiling plate for flat and inclined ceilings, a 550-850 mm adjustable extension pole and has a VESA interface up to 200x200 mm.





PFC 555 Display ceiling mount

www.vogels.com

VOGEL'S HOLDING BV 2019 (c) All rights reserved.
Subject to printing errors, technical and price amendments.
Date:2019-05-09

Specifications

Product type number	PFC 555
Article number (SKU)	7305554
Colour	Silver
EAN single box	8712285330742
TÜV certified	Yes
Tilt	Tilt up to 20°
Guarantee	5 years
Max. weight load (kg)	30
Max. bolt size	M8
Max. height of interface (mm)	256
Max. width of interface (mm)	242
Autolock	False
Ceiling types	Flat / inclined ceiling
Fischer inside	Yes
Height options	Manually adjustable height
Levelling function	Post-installation horizontal levelling
Max. distance to ceiling - center display (mm)	810
Min. distance to ceiling (mm)	550
Universal or fixed hole pattern	Fixed

