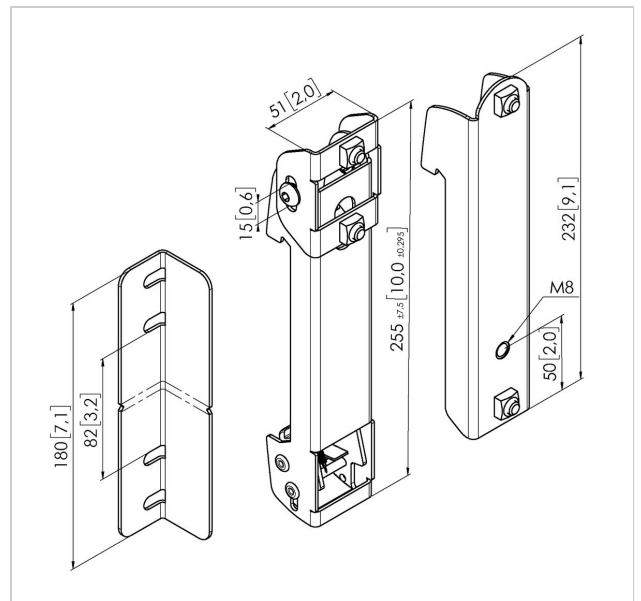




PLS 8001 Vertical profile mounting strips

Article number (SKU) 7380010
Colour Black

The PLS 8001 vertical profile mounting strips are a part of the Universal video wall solution. The PLS 8001 vertical profile mounting strips can be used to mount the vertical profile (PLM 8030) on the horizontal interface bar (PFB 34xx). The kit exists out of a top bracket, bottom bracket and a vertical profile (PLM 8030) coupler.



PLS 8001 Vertical profile mounting strips

www.vogels.com



VOGEL'S HOLDING BV 2019 (c) All rights reserved.
Subject to printing errors, technical and price amendments.
Date: 2019-05-15

Specifications

Product type number	PLS 8001
Article number (SKU)	7380010
Colour	Black
EAN single box	8712285339387
TÜV certified	Yes
Guarantee	5 years

