



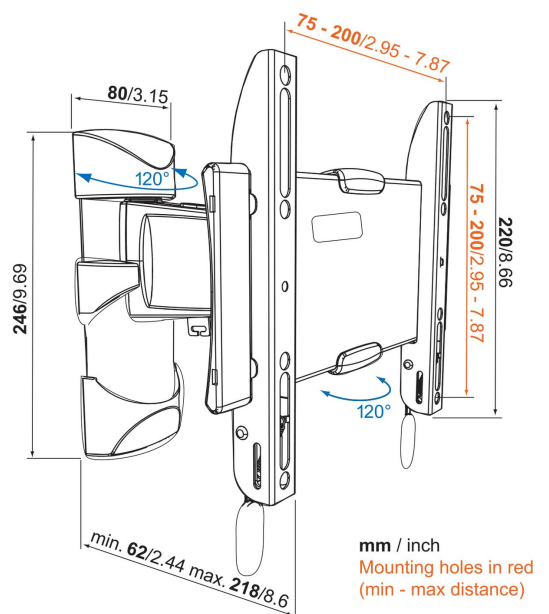
BASE 25 S Full-Motion TV Wall Mount

Key Benefits

- Strong and Simple: solid, secure solutions to mount your TV
- Smoothly turn your TV up to 120°
- Lock your TV securely in place

For TVs up to 43 inch (109 cm)

BASE 25 S is a durable TV wall mount, suitable for 19 to 43 inch (48 to 109 cm) TVs weighing up to 20 kg (44 lbs). Full-motion mount for the best view. What's better than mounting your TV flush against the wall to save space? Being able to pull it out and turn it up to 60 degrees both ways to get the perfect viewing angle from anywhere in the room. The BASE 25 S is solid, strong and flexible.





BASE 25 S Full-Motion TV Wall Mount

Specifications

Article number (SKU)	8343125
Colour	Black
EAN single box	8712285324185
Product size	S
TÜV certified	Yes
Turn	Motion (up to 120°)
Guarantee	Lifetime
Min. screen size (inch)	19
Max. screen size (inch)	43
Max. weight load (kg/Lbs)	20 / 44.09
Min. hole pattern	75mm x 75mm
Max. hole pattern	200mm x 200mm
Max. bolt size	M8
Certifications	TÜV
Max. distance to the wall (mm / inch)	218 / 8.58
Min. distance to the wall (mm / inch)	62 / 2.44
Number of pivot points	2
Service position	No
Spirit level included	No
Universal or fixed hole pattern	Universal

VOGEL'S HOLDING BV (©)

All rights reserved.
Subject to printing errors,
technical and price
amendments.

Date: 2023-01-15



Vogel's. For Sure.