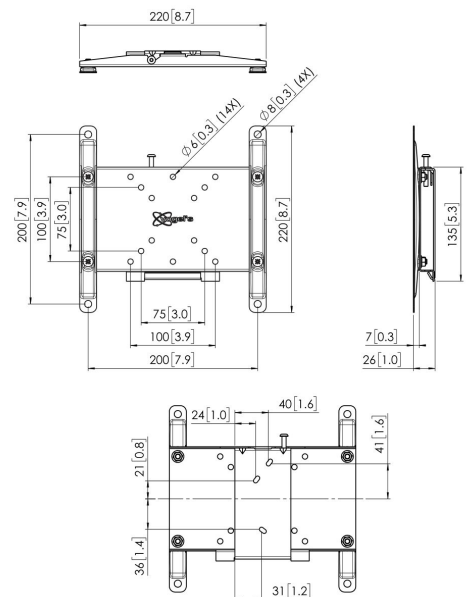


PFW 4200 Display Wall Mount fixed

Anti-theft wall mount for public areas

The PFW 4200 is suitable for 10 to 43 inch displays weighing up to 30 kg. This wall mount is especially designed for hospitality and public areas that cannot be continuously supervised. The locking mechanism securely locks the display in place, while still allowing easy access to the display or TV for servicing. The lock also prevents the display from being accidentally knocked of the wall. unintentional bumping the display or TV from the wall.





PFW 4200 Display Wall Mount fixed



Specifications

Article number (SKU)	7042000
Colour	Black
EAN single box	8712285330988
Product size	S
TÜV certified	Yes
Guarantee	5 years
Min. screen size (inch)	10
Max. screen size (inch)	43
Max. weight load (kg/Lbs)	30 / 66.14
Max. bolt size	M6
Max. height of interface (mm)	135
Max. width of interface (mm)	220
Fischer inside	Yes
Lockable	True
Lock options	Lock included / integrated
Max. horizontal hole pattern (mm)	200
Max. screen size (inch)	43
Max. vertical hole pattern (mm)	200
Min. distance to the wall (mm / inch)	27 / 1.06
Min. horizontal hole pattern (mm)	50
Min. screen size (inch)	10
Min. vertical hole pattern (mm)	50
Orientation	Landscape / Portrait
Universal or fixed hole pattern	Fixed

VOGEL'S HOLDING BV (©)

All rights reserved.
Subject to printing errors,
technical and price
amendments.

Date: 2023-01-30



Vogel's. For Sure.