

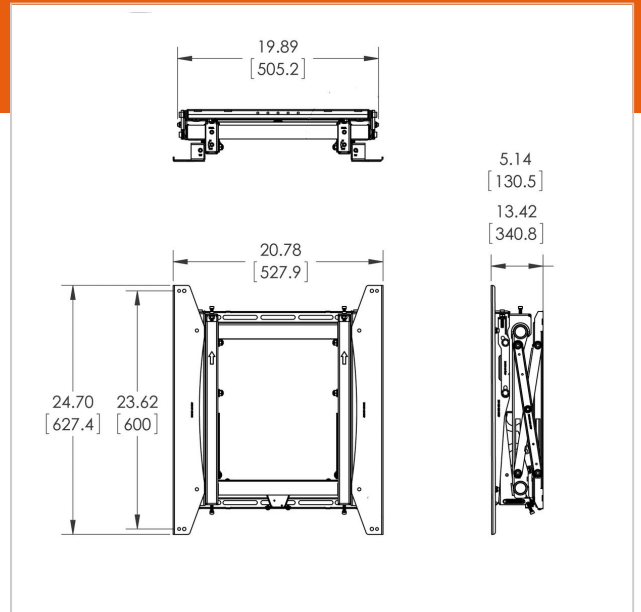


## PFW 6875 Video wall pop-out wall mount, portrait

Article number (SKU) 7368750  
Colour Black

The PFW 6875 is an adjustable pop-out video-wall mount for displays in portrait position. The PFW 6875 can be used for displays up to 72kg with mounting patterns from 200 x 200 up to 500 x 600 mm. It features multi-monitor stacking, spring-loaded release, open design, custom spacers, top adjustable mounting brackets and straight scissor-style extension.

Optional dedicated spacers dramatically reduce installation time. Spacers are available for the most used video wall displays or monitors.





## PFW 6875 Video wall pop-out wall mount, portrait

[www.vogels.com](http://www.vogels.com)

VOGEL'S HOLDING BV 2019 (c) All rights reserved.  
Subject to printing errors, technical and price amendments.  
Date:2020-10-15

### Specifications

Product type number	PFW 6875
Article number (SKU)	7368750
Colour	Black
EAN single box	8712285324840
TÜV certified	Yes
Guarantee	5 years
Max. weight load (kg)	72
Max. height of interface (mm)	627
Max. width of interface (mm)	497
Max. distance to the wall (mm)	340
Max. horizontal hole pattern (mm)	400
Max. screen size (inch)	65
Max. vertical hole pattern (mm)	600
Min. distance to the wall (mm)	127
Min. horizontal hole pattern (mm)	200
Min. screen size (inch)	37
Min. vertical hole pattern (mm)	200
Orientation	Portrait
Service position	Yes