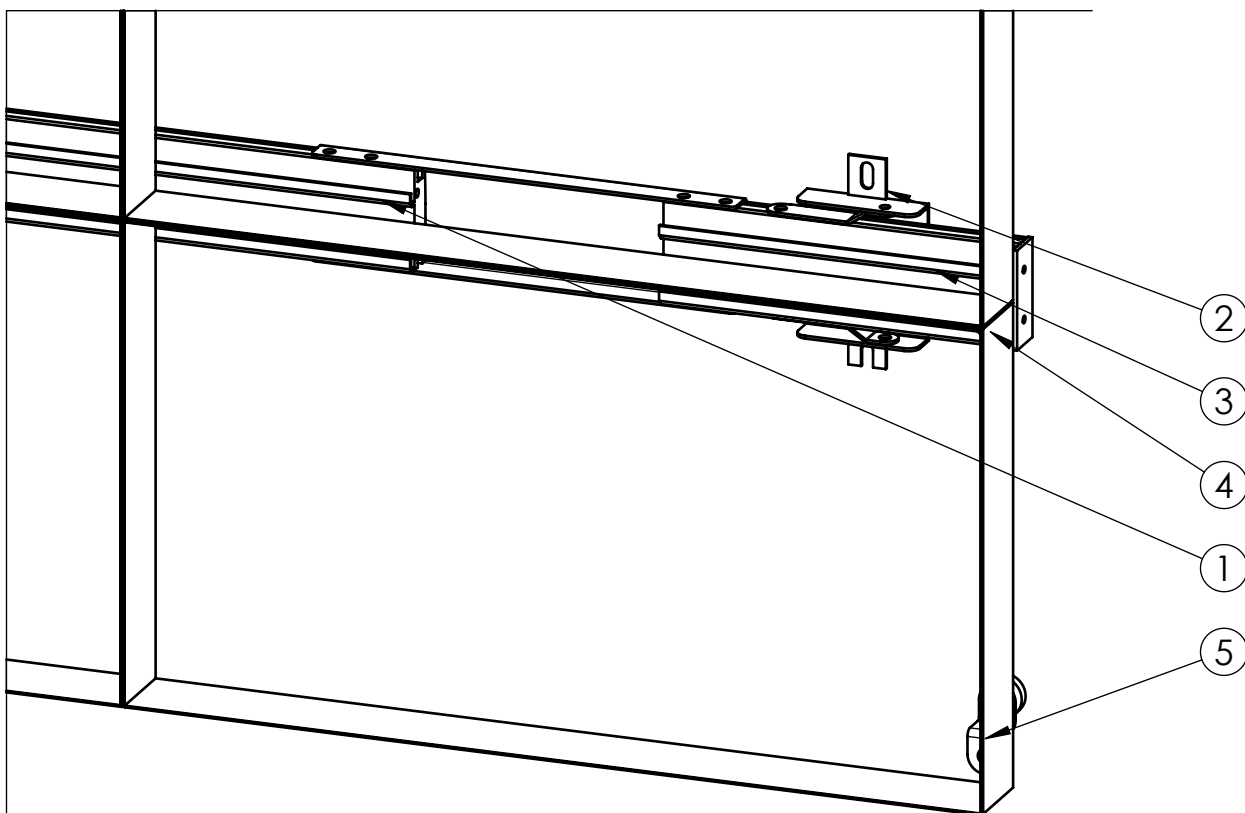


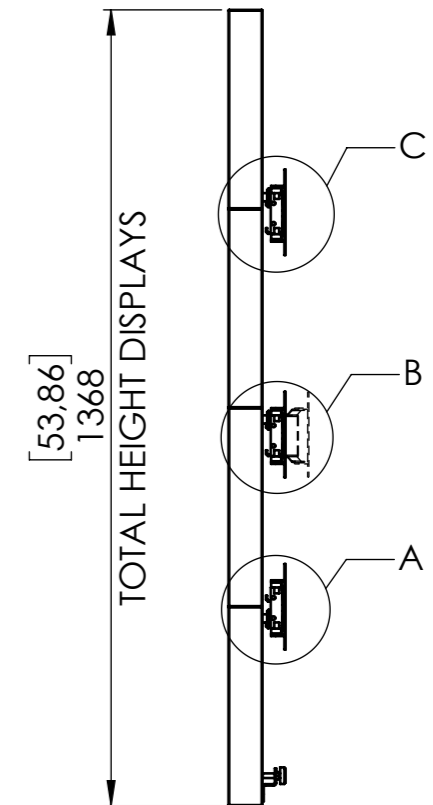
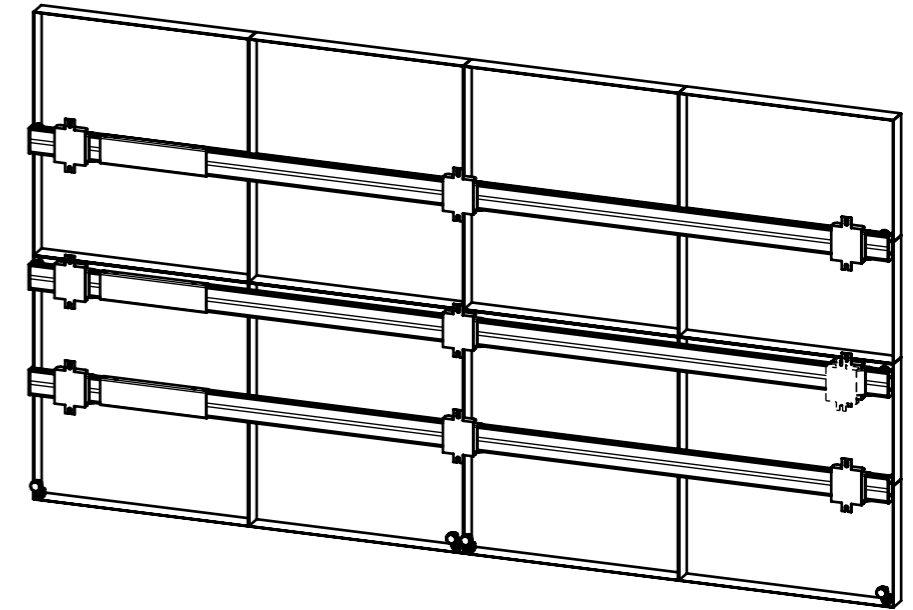
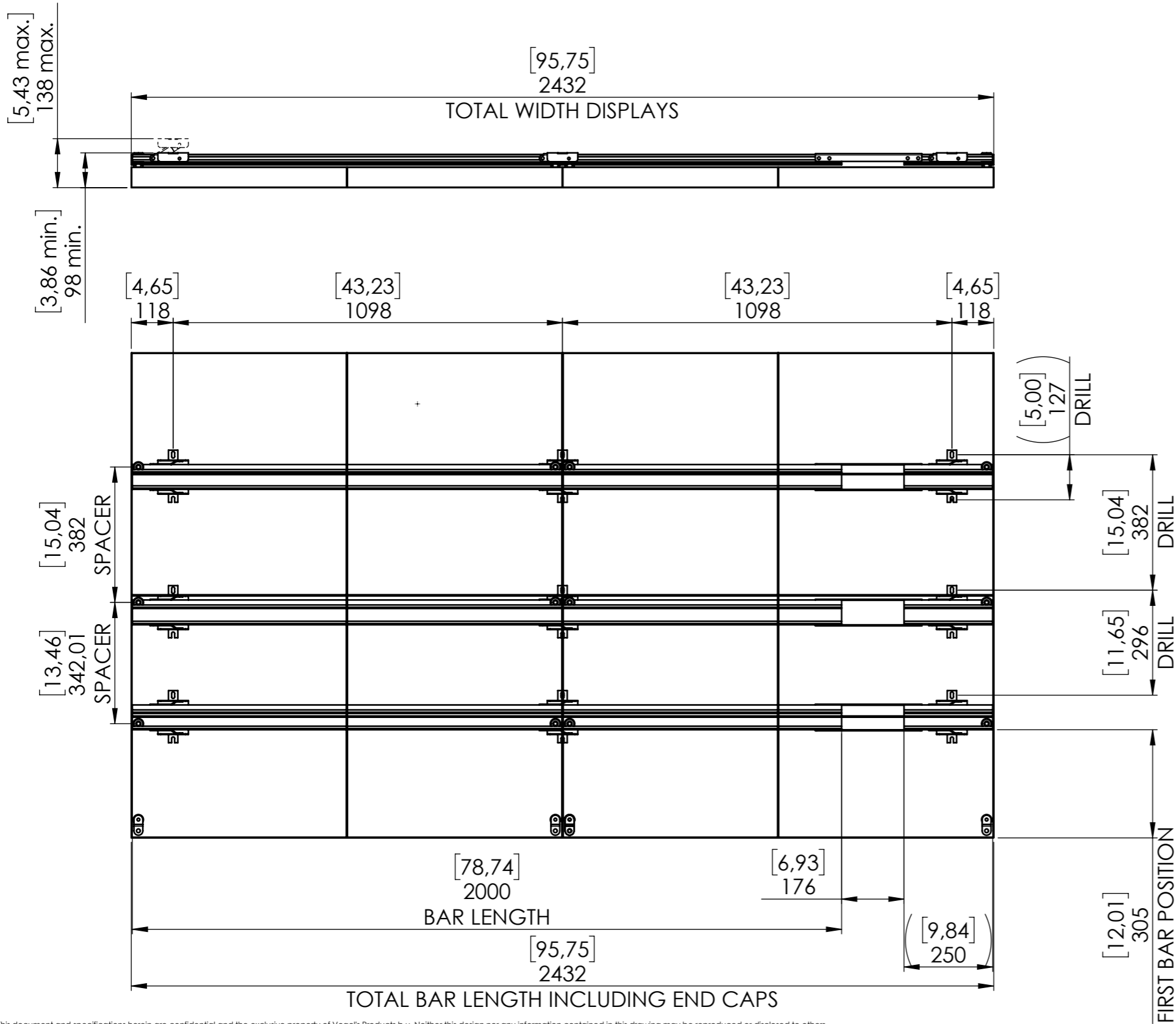
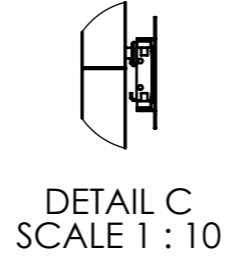
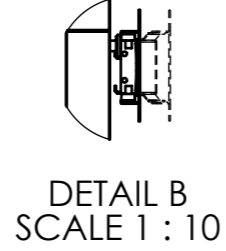
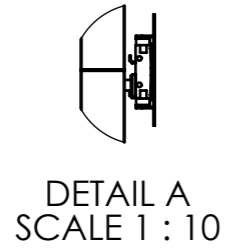
# Product data sheet

## INT 8001 DVLED PHILIPS 6/9000 SERIES 4x4

Dimensions in mm [inch]



ITEM NO.	PART NUMBER	DESCRIPTION	QTY.
1	PLB 3120	LED bar 2000mm	3
2	PLA 9302	Connection Z-bracket kit for LED profiles	9
3	PLA 9303	Profile extender kit	3
4	PLA 9305	Mounting kit LED	3
5	PLA 9307	LED Cabinet levelling foot	1



**Note:** This document and specifications herein are confidential and the exclusive property of Vogel's Products b.v. Neither this design nor any information contained in this drawing may be reproduced or disclosed to others without written consent of Vogel's Products b.v. The design and information will not be reproduced, copied or used, either in part or in its entirety, as the basis for the manufacture or sale of items without written permission.  
**Warning:** Please study all instructions and illustrations carefully before installation.  
 Information in this document is subject to change without further notice.