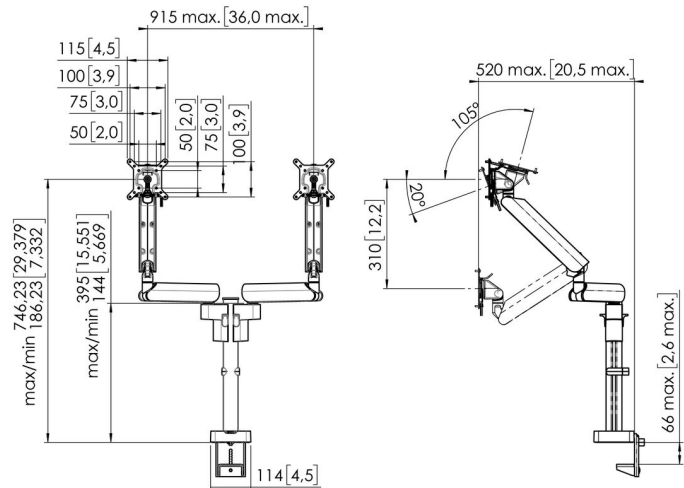


MOMO 4237 Monitor Arm Motion Plus for 2 monitors (white)

Article number (SKU): 7142371
Colour: White



Tender specifications

BRAND AND PRODUCT; Vogel's MOMO MOTION PLUS 4237; Monitor Mount; dynamic mount; colour: black/white; suitable for two monitors MARKET SEGMENTATION: Monitor Mounts ideal for use in a school, meeting room, lobby or boardroom; offices; market segment education; corporate; retail; hospitalitySUITABLE FOR: Suitable for monitors with a max width of 915mm; Max. weight of monitor 10 kg/22lbs; MATERIALS: dynamic arms aluminium; asa cover caps according to RoHs guidelines; FEATURES: TÜV-3 tested; endurance test of at least 10,000 cycles; FIRA; IGR; warranty 10 years; easy installation from the top of the desk; universal interface suitable for any brand of monitors with a max width of 915mm; weighing up to 10 kg / 22 lbs per monitor; 3 pivot points; on/through desk; 310 mm height adjustment; Max height center monitor 746 mm; Thickness desk 66 mm; VESA size; 50x50/75x75/100x100; sivel 180; rotate 90/90; tilt -20/+105; rotation stop yes; environment-friendly packaging entirely without EPP | EPS; special MOMO accessories and components available for MOMO Monitor Mounts;TECHNICAL SPECIFICATIONS: Min. VESA 50x50mm Max. VESA 100x100; Height adjustment Mechanical spring; Max. center monitor 746; Rotation stop yes; Mounting possibilities on and through desk; Max thickness desk 66; Adjustable height 310 mm; Max weight load 10kg/22,05 lbs per monitor; TUV-3 certified; MOMO Motion+; LOGISTICS INFORMATION: box dimensions (mm) 790 x 267 x 135 (LxWxH); gross weight 9,3 kg / 20,50 lbs (warehouse) 9;PRODUCT PROPOSITION: Vogel's MOMO The Monitor Mount that works everywhere; Vogel's Products BV.

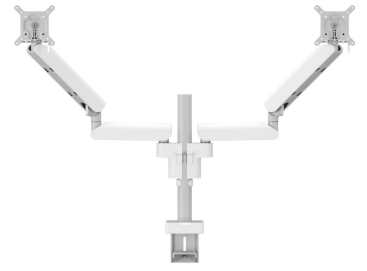


Article number (SKU): 7142371
Colour: White

Key Benefits

- Height Adjustable
- Suitable for one, two or a whole series of monitors
- Easy to assemble without tools
- Flexible modular system
- TÜV certified / 10-year guarantee

The ergonomic monitor arm for every workplace The MOMO 4237 is a dynamic monitor arm for mounting 2 monitors, specially designed for monitors that are regularly adjusted in height, such as at flexible work stations. The monitor arm can hold screen up to 34 inches and weighing up to 10 kg.



VOGEL'S HOLDING BV (©)

All rights reserved.

Subject to printing errors, technical and price amendments.

Date: 2024-03-26