

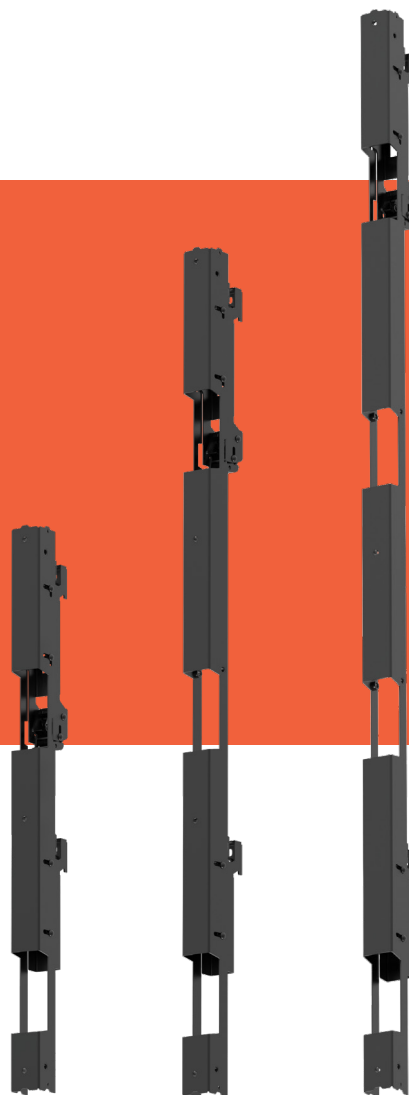
# PLI 86XX SERIE

BARCO TRUEPIX CI INT.

PLI 8606 H2

PLI 8607 H3

PLI 8608 H4



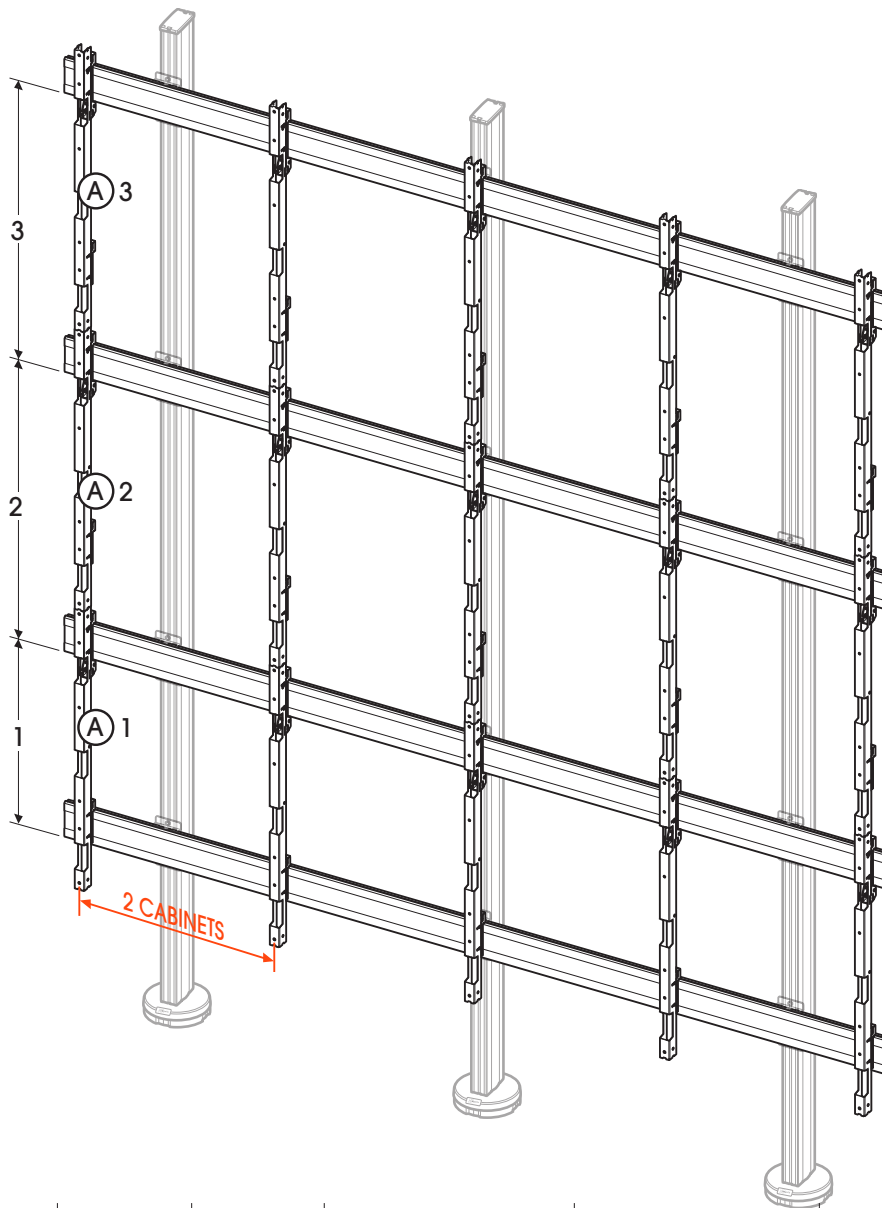
## Installation & User Manual

|           |                    |
|-----------|--------------------|
| <b>DE</b> | Produkt Handbuch   |
| <b>FR</b> | Manuel de produit  |
| <b>NL</b> | Producthandleiding |

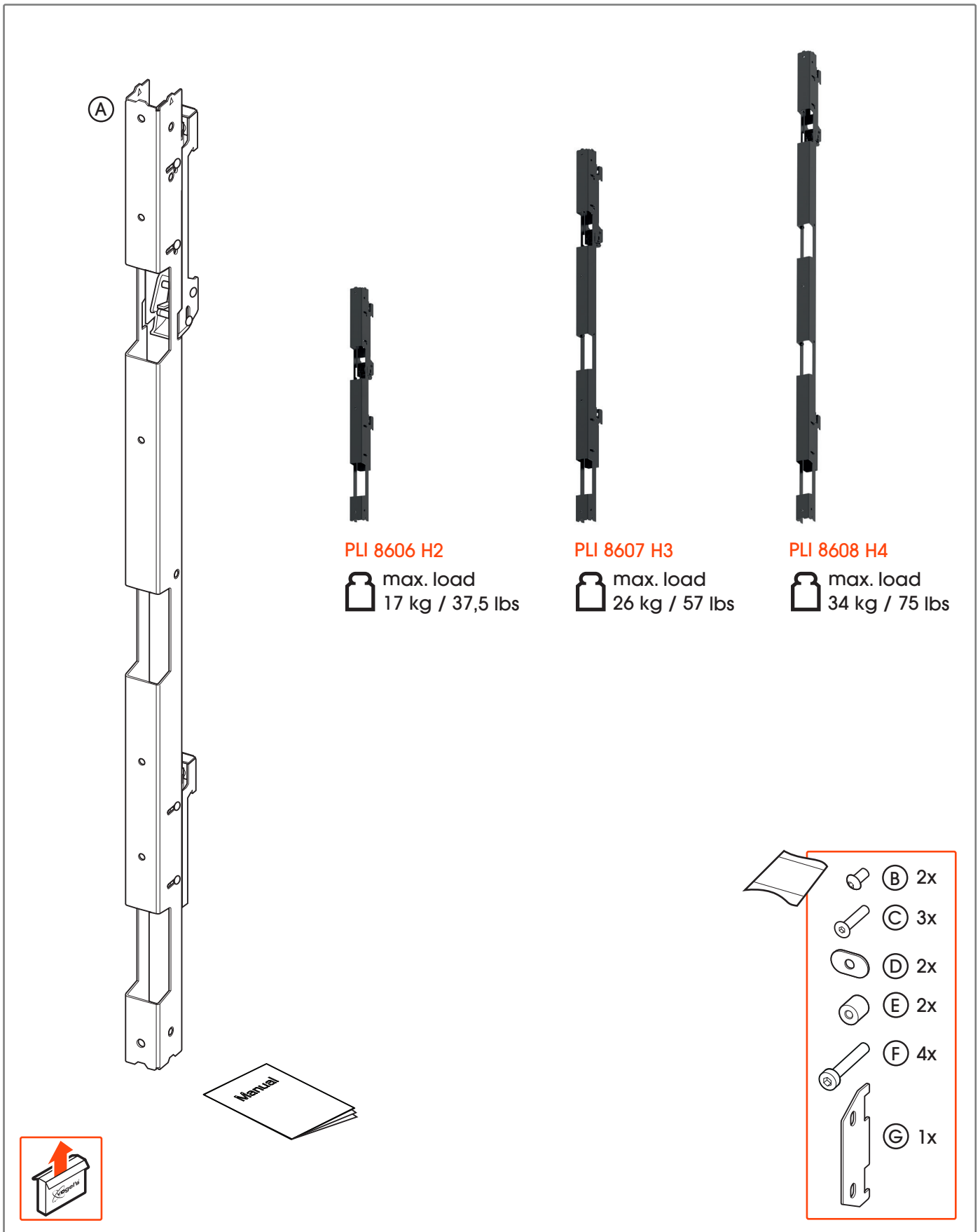
### CONTENTS

|                          |   |
|--------------------------|---|
| Information distant bars | 2 |
| Mounting Instructions    | 3 |
| Contact Details          | 8 |








| QTY cabinets high | PLI 8606H2 | PLI 8607H3   | PLI 8608H4 | Distance bottom row PFB to row above (1) | Distance 2nd row PFB to row above (2) | Distance 3rd row PFB to row above (3) |
|-------------------|------------|--------------|------------|--|---------------------------------------|---------------------------------------|
| 2                 | A1         |              |            | 337                                      |                                       |                                       |
| 3                 |            | A1           |            | 680                                      |                                       |                                       |
| 4                 |            |              | A1         | 1023                                     |                                       |                                       |
| 5                 | A2         | A1           |            | 680                                      | 686                                   |                                       |
| 6                 |            | A1 + A2      |            | 680                                      | 1029                                  |                                       |
| 7                 |            | A2           | A1         | 1023                                     | 1029                                  |                                       |
| 8                 |            |              | A1 + A2    | 1023                                     | 1372                                  |                                       |
| 9                 |            | A1 + A2 + A3 |            | 680                                      | 1029                                  | 1029                                  |
| 10                | A3         |              | A1 + A2    | 1023                                     | 1372                                  | 686                                   |
| 11                |            | A3           | A1 + A2    | 1023                                     | 1372                                  | 1029                                  |
| 12                |            |              |            | 1023                                     | 1372                                  | 1372                                  |




**A**


**PLI 8606 H2**  
 max. load  
 17 kg / 37,5 lbs


**PLI 8607 H3**  
 max. load  
 26 kg / 57 lbs


**PLI 8608 H4**  
 max. load  
 34 kg / 75 lbs


**Manual**





 **B** 2x

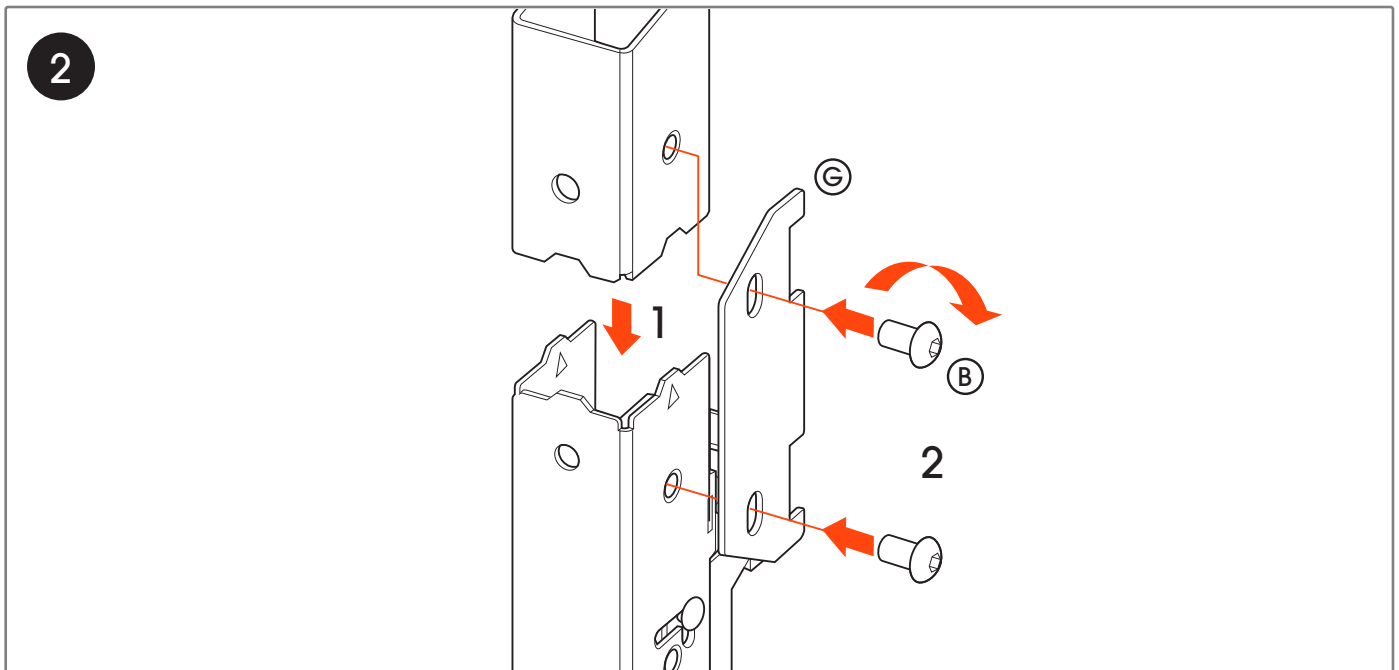
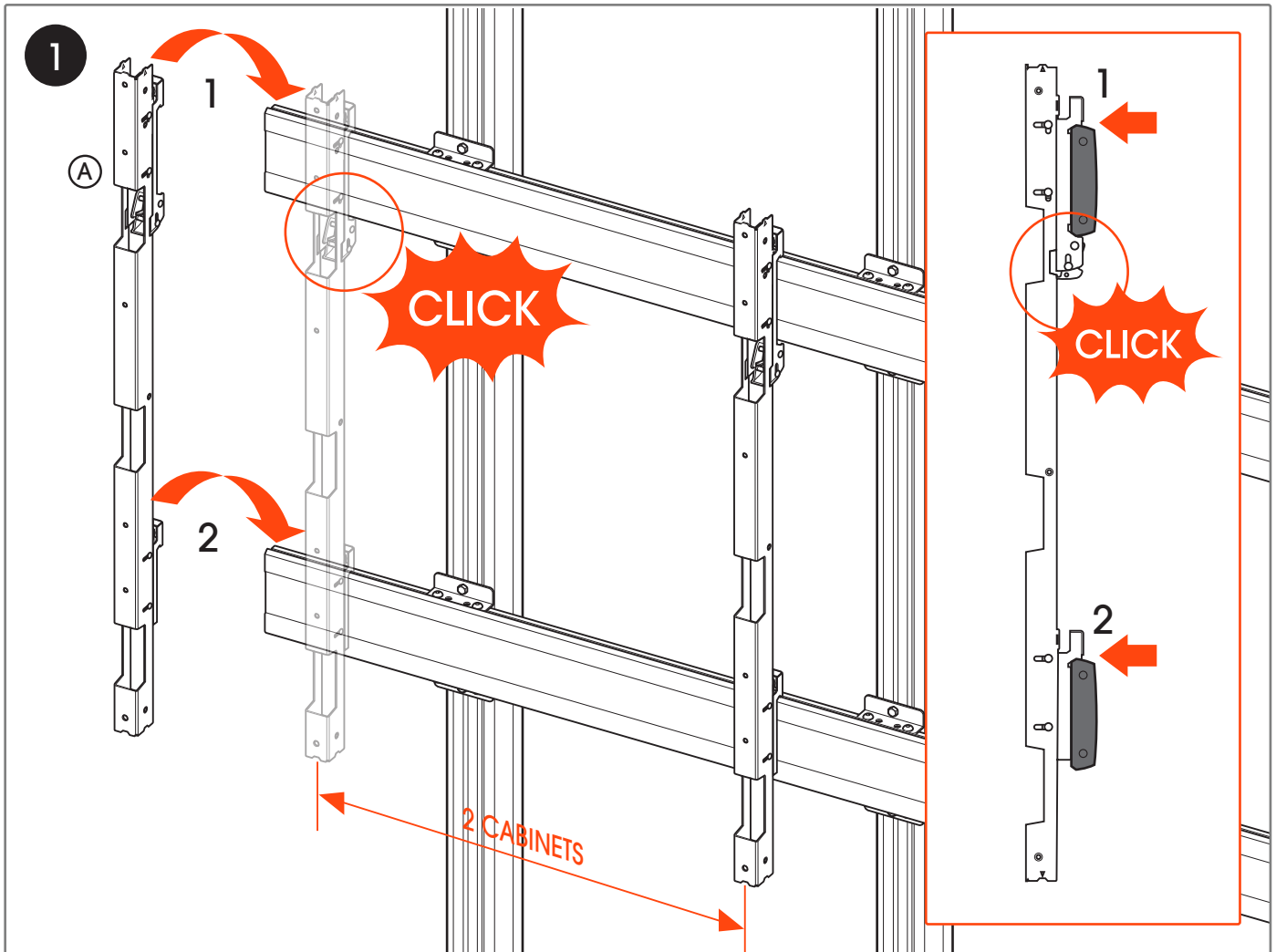
 **C** 3x

 **D** 2x

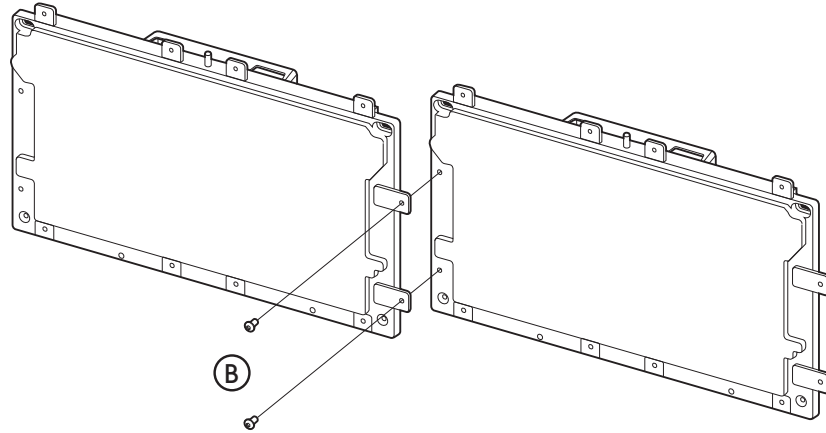
 **E** 2x

 **F** 4x

 **G** 1x

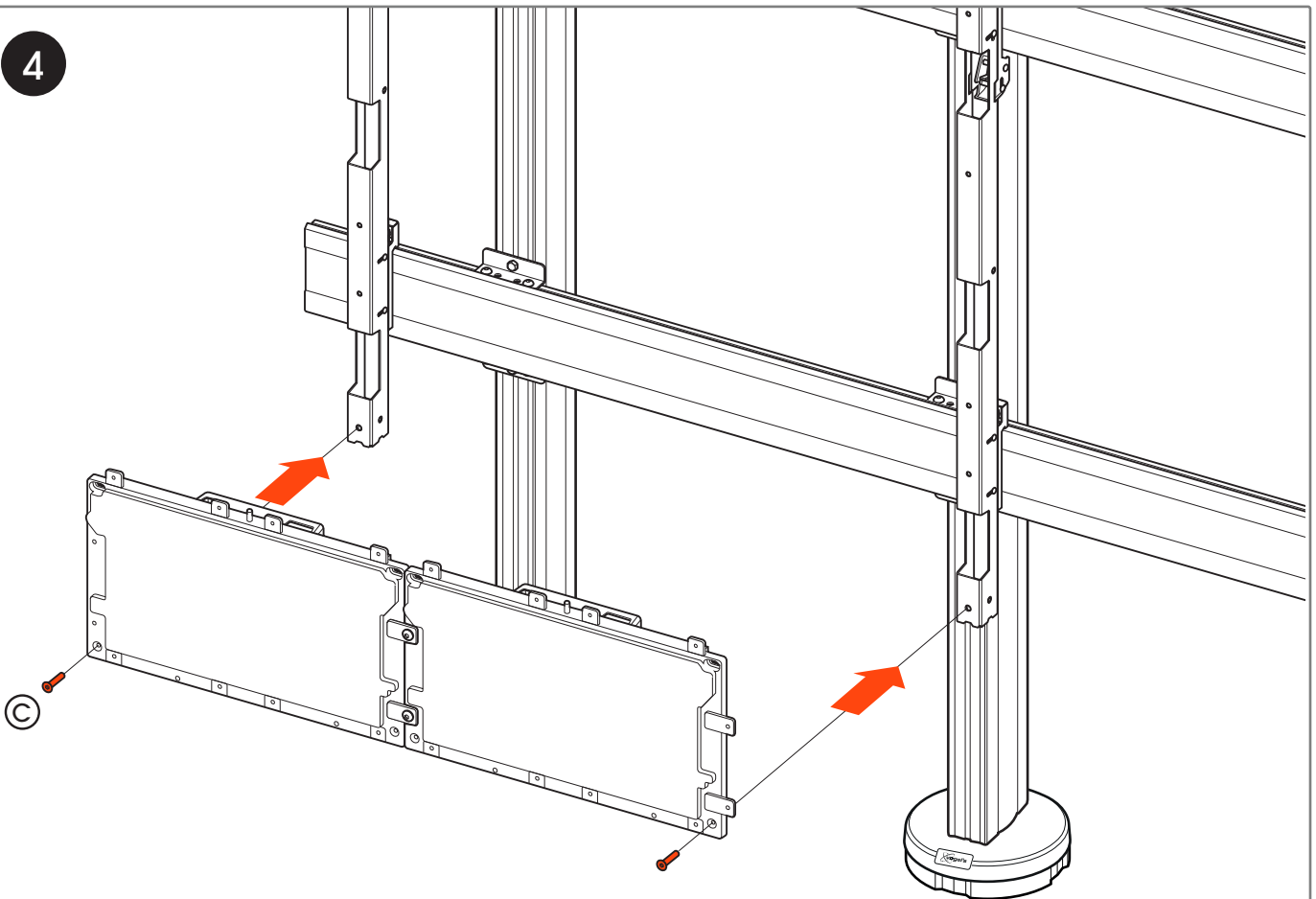


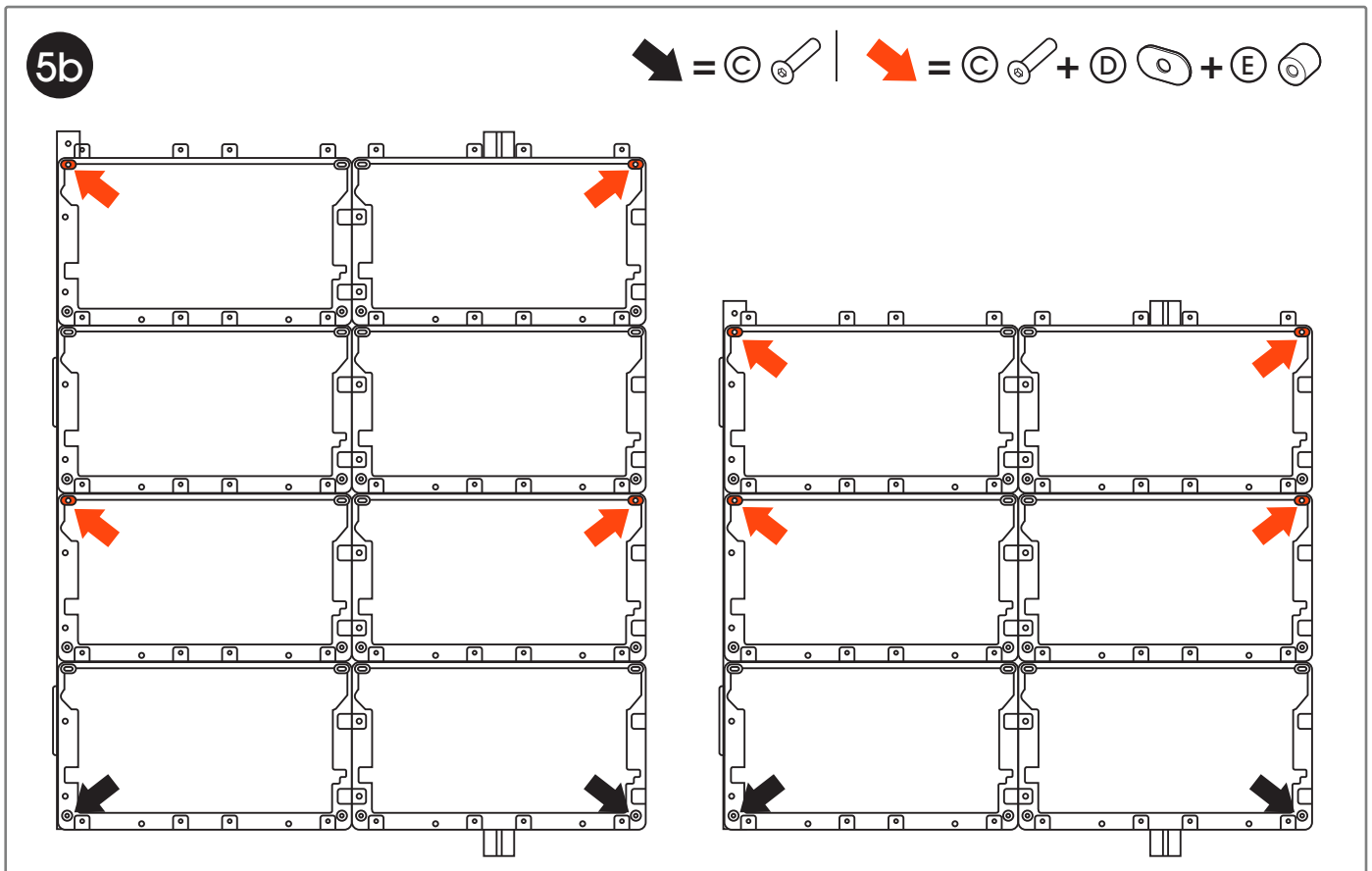
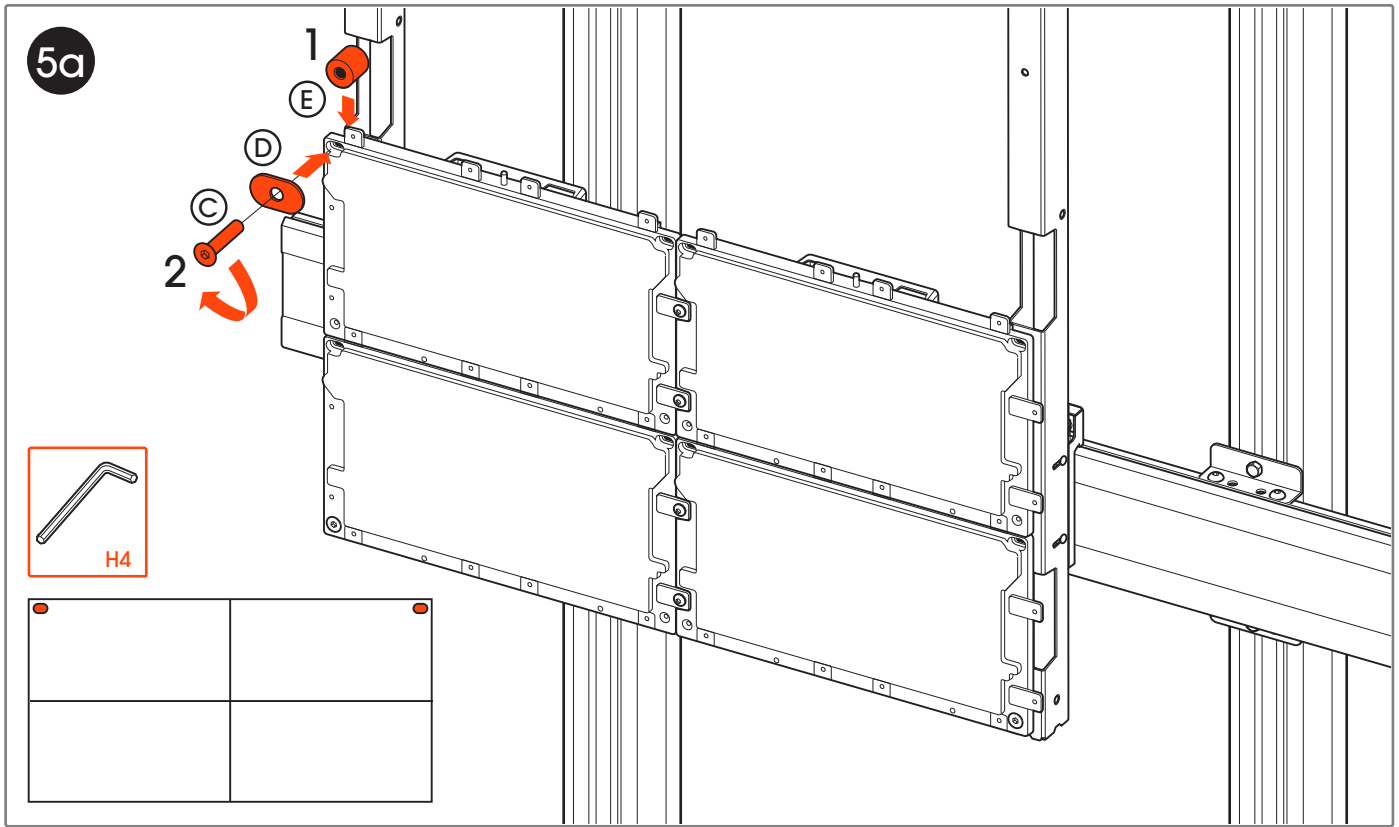
3

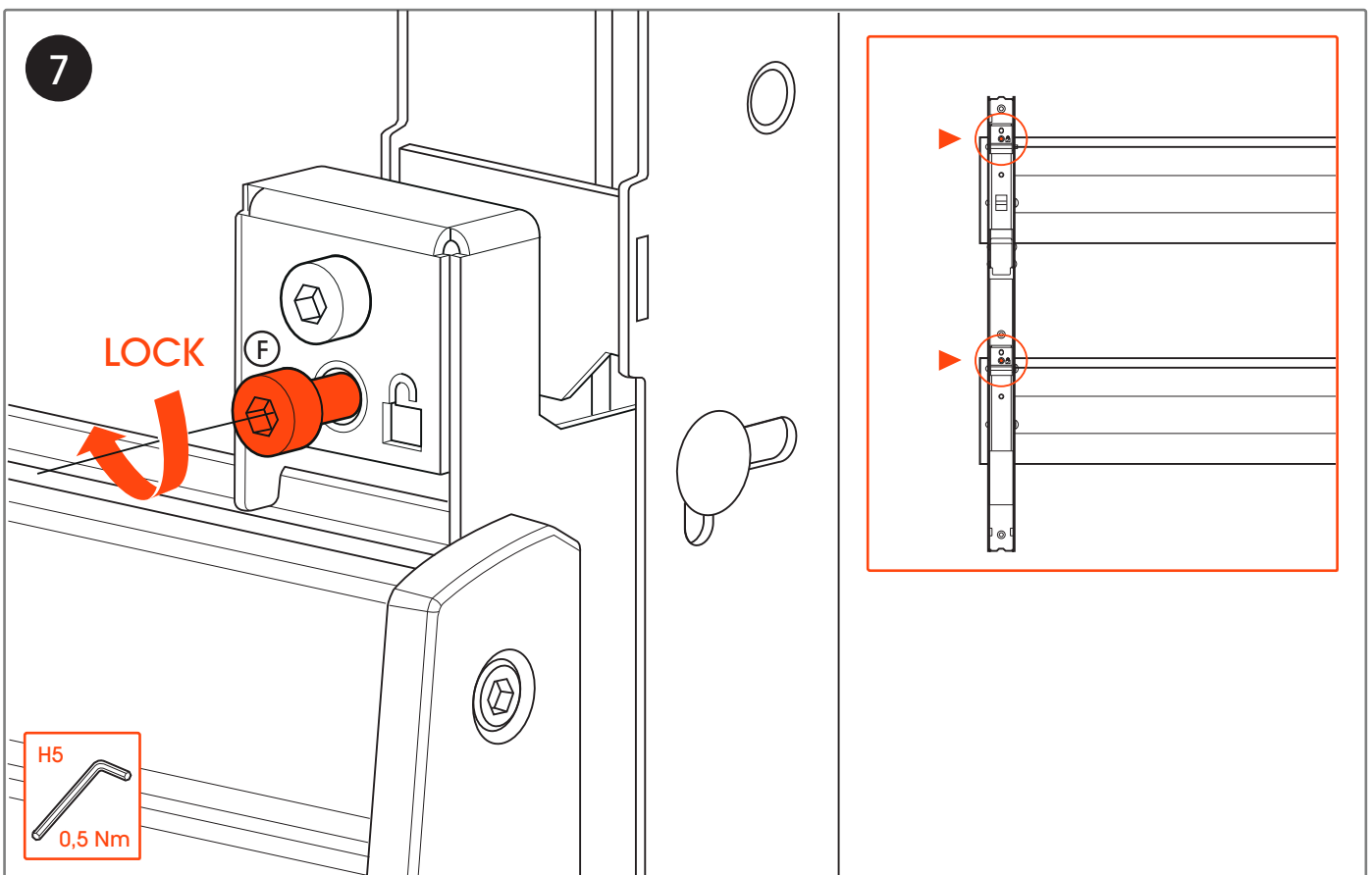
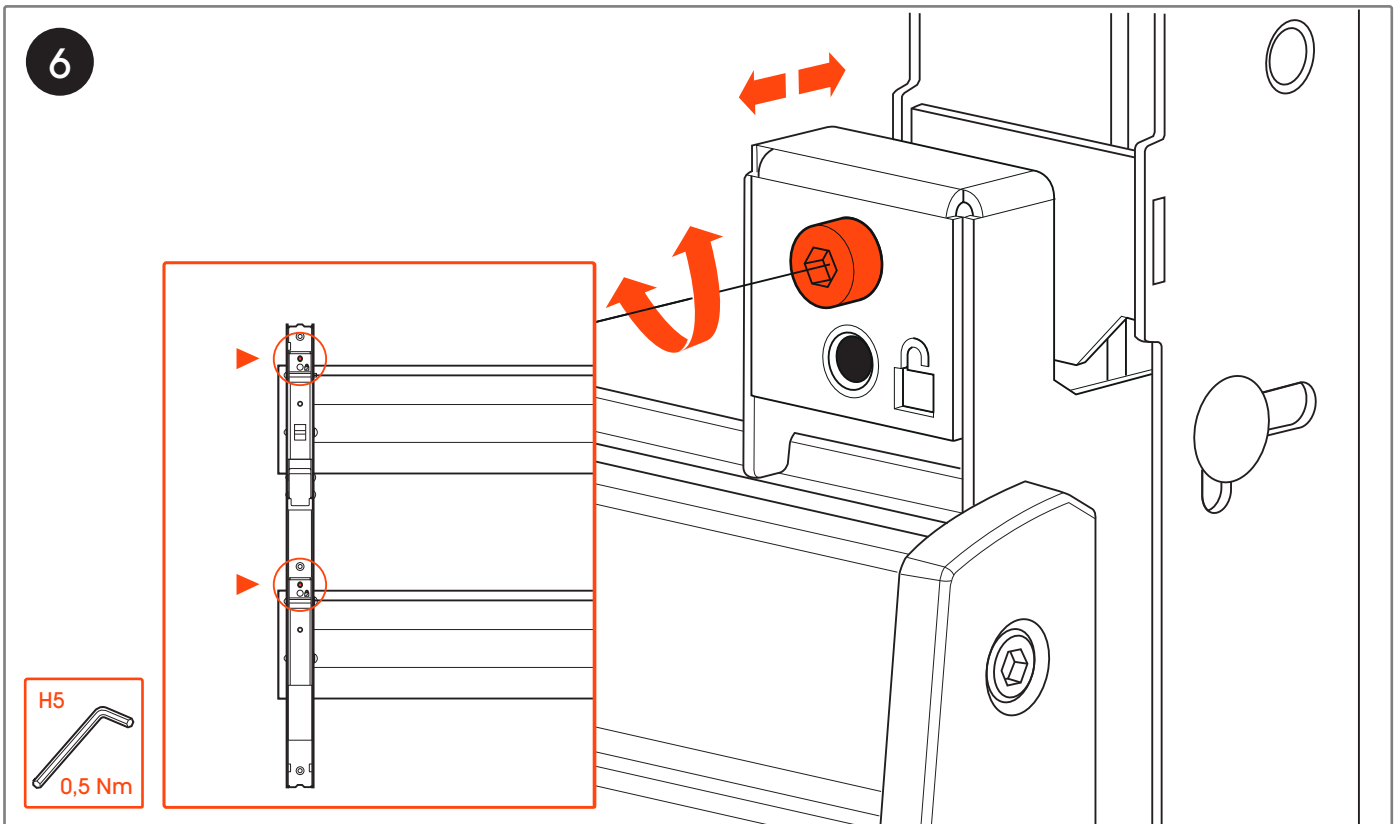


FOLLOW INSTRUCTIONS BARCO

4







**Vogel's Products BV**

HONDSRUGLAAN 93,  
5628 DB EINDHOVEN,  
THE NETHERLANDS

T +31 (0)40 264 74 00

E [info@vogels.com](mailto:info@vogels.com)

W [www.vogels.com](http://www.vogels.com)

- (GB) Subject to printing errors and technical amendments.  
(NL) Drukfouten en technische wijzigingen voorbehouden.  
(F) Sous réserve de fautes d'impression et de modifications techniques.  
(D) Für Druckfehler übernehmen wir keine Verantwortung. Technische Änderungen vorbehalten.  
(E) Reservados errores de imprenta y sujete a modificaciones.  
(I) Con riserva di modifiche tecniche e di eventuali errori di stampa.  
(P) Reserva-se a ocorrência de galhas e de modificações técnicas.  
(H) Nyomdahibák és technikai változtatások joga fenntartva.  
(PL) Zastrzega się możliwość występowania błędów drukarskich i zmian technicznych.  
(RUS) Возможны ошибки при печати и технические модификации.

Designed and engineered in the Netherlands. More information on: [www.vogels.com](http://www.vogels.com)