



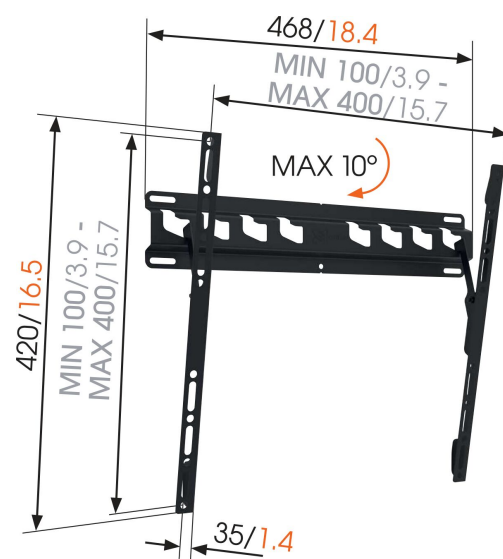
MA3010 Tilting TV Wall Mount

Key Benefits

- Avoid reflections: tilt up to 10°
- Tested up to 3 times max. TV weight
- Mount your TV exactly where you want it to be
- Easily remove to install your cables
- Reliable quality for an affordable price

For TVs from 32 up to 65 inch (165 cm)

TVs weighing up to 40 kg are in good hands with the MA 3010. This sturdy TV mount is a good choice for screens between 32 and 65 inches.



mm/inch
VESA mounting holes



MA3010 Tilting TV Wall Mount

Specifications

Article number (SKU)	8573010
Colour	Black
EAN single box	8712285337062
Product size	M
TÜV certified	Yes
Tilt	Tilt up to 10°
Guarantee	2 years
Min. screen size (inch)	32
Max. screen size (inch)	65
Max. weight load (kg/Lbs)	40 / 88.18
Min. hole pattern	100mm x 100mm
Max. hole pattern	400mm x 400mm
Max. bolt size	M8
Certifications	TÜV
Min. distance to the wall (mm / inch)	35 / 1.38
Universal or fixed hole pattern	Universal

VOGEL'S HOLDING BV (©)

All rights reserved.
Subject to printing errors,
technical and price
amendments.

Date: 2023-01-13



Vogel's. For Sure.