



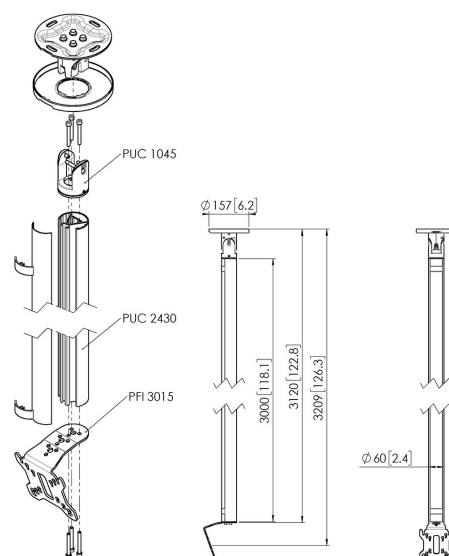
## CT243011 B Display Ceiling Mount

### Key Benefits

- Stylish high-end design
- Easy install
- Rotatable

### Ceiling mount kit CT243011

Display size: Fitment: 100x100Max. load: 30 kg - 66 lbs Kit consists of: • 1x PUC 1045 Ceiling plate turn and tilt • 1x PUC 2430 Pole 300cm • 1x PFI 3015 Display interface





# CT243011 B Display Ceiling Mount



## Specifications

Min. screen size (inch)	10
Max. screen size (inch)	32
Min. horizontal hole pattern (mm)	50
Max. horizontal hole pattern (mm)	100
Min. vertical hole pattern (mm)	50
Max. vertical hole pattern (mm)	100
Universal or fixed hole pattern	Fixed
Max. height of interface (mm)	141
Max. width of interface (mm)	130
Max. distance to ceiling - center display (mm)	3209
Max. weight load (kg)	30
Max. weight load (Lbs)	66.14
Ceiling types	Flat / inclined ceiling
Turn	Up to 360°
Tilt	Tilt up to 20°
Orientation	Landscape / Portrait
Height options	Fixed height
Levelling function	Post-installation horizontal levelling
Length	3120
Width	130
Depth	135
Article number (SKU)	7955080
EAN single box	8712285347122
Colour	Black
Certifications	TÜV
TÜV certified	Yes
Guarantee	5 years

VOGEL'S HOLDING BV (©)

All rights reserved.  
Subject to printing errors,  
technical and price  
amendments.

Date: 2024-11-12



**Vogel's.** For Sure.