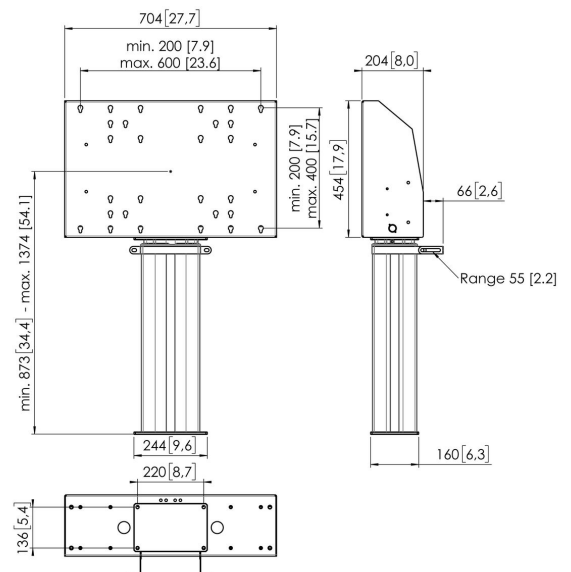
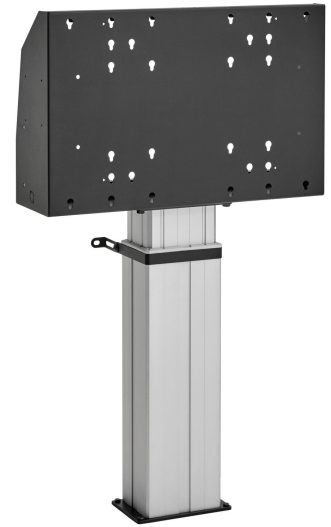




FME5064 Motorized Display Floor Stand, fixed to floor 50 cm

Motorised floor mounted kit FME5064

Display size: Fitment: 600x400 Max. load: 150 kg - 330 lbs Kit consists of: • 1x PFA 9134 Wall bracket motorized display lift • 1x PFFE 7105 Motorized display lift 50 cm • 1x PFI 3061 Interface box for PFFE 7105/7106 Use the optional PFA 9119 electronic safety strip to prevent damage when the movement is blocked by an object.





FME5064 Motorized Display Floor Stand, fixed to floor 50 cm



Specifications

| | |
|--|---------------|
| Article number (SKU) | 7950684 |
| Colour | Silver |
| EAN single box | 8712285343605 |
| Width | 704 |
| Depth | 204 |
| Guarantee | 5 years |
| Min. screen size (inch) | 40 |
| Max. screen size (inch) | 88 |
| Max. weight load (kg/Lbs) | 150 / 330.69 |
| Certifications | CE |
| Max. distance to floor - center display (mm) | 1374 |
| Min. distance to floor - center display (mm) | 873 |
| Motorized | Yes |
| Remote controlled | Yes |
| Height adjustment (mm) | 500 |

VOGEL'S HOLDING BV (©)

All rights reserved.
Subject to printing errors,
technical and price
amendments.

Date: 2023-01-28