

PFS 3508 Display interface strips 3D adjustable

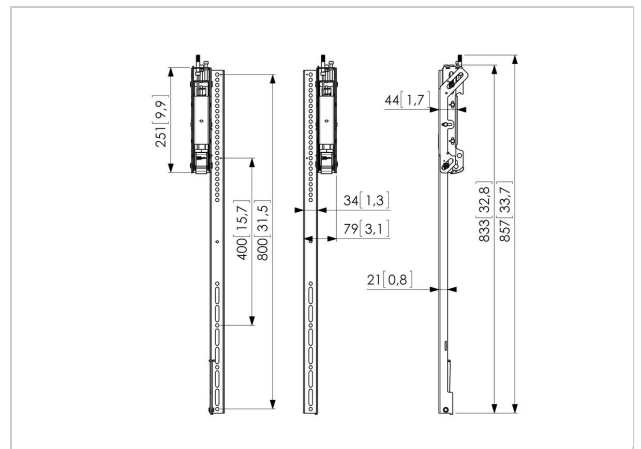
Article number (SKU) 7235080
Colour Black

Key Benefits

- Fine tuning during installation
- Modular
- Post-installation levelling
- Quick and easy installation
- Theft prevention

The PFS 3508 adjustable display strip is part of a unique and flexible system that is ideal for video wall setups and in-line menu boards. With this modular concept, based on Connect-it, you create a video wall solution for almost every set-up requirement. The video wall solution consists of interface bars (PFB 34xx) and one set of multi directional (3D) adjustable interface display strips (PFS 35xx) per display. Vogel's offers various lengths of interface bars and two different lengths of interface display strips, with fitment 400 mm and 800 mm.

The PFS 3508 is a unique top adjustable display strip, which can be adjusted in 3 directions (3D) to achieve an overall seamless and flawless look. The PFS 3508 has a vertical fitment of 800 mm and has horizontal, depth and tilt adjustment. Once the displays are in place, the built in service position makes it possible to easily connect cables to the displays. The service position also allows each individual display to be removed for maintenance or replacement. Even if the display in the middle of the video wall. Additional features include the lock for lateral shift to avoid horizontal movement. With the optional padlock (PFA 9109) you prevent unauthorized removal.





PFS 3508 Display interface strips 3D adjustable

www.vogels.com

VOGEL'S HOLDING BV 2019 (c) All rights reserved.
Subject to printing errors, technical and price amendments.
Date: 2019-04-26

Specifications

Product type number	PFS 3508
Article number (SKU)	7235080
Colour	Black
EAN single box	8712285328824
Height	857
TÜV certified	Yes
Tilt	Tilt -3°/+7°
Guarantee	5 years
Max. weight load (kg)	80
Max. bolt size	M8
Max. height of interface (mm)	857
Max. width of interface (mm)	79
Max. vertical hole pattern (mm)	800
Min. vertical hole pattern (mm)	200
Service position	Yes

