

Product data sheet

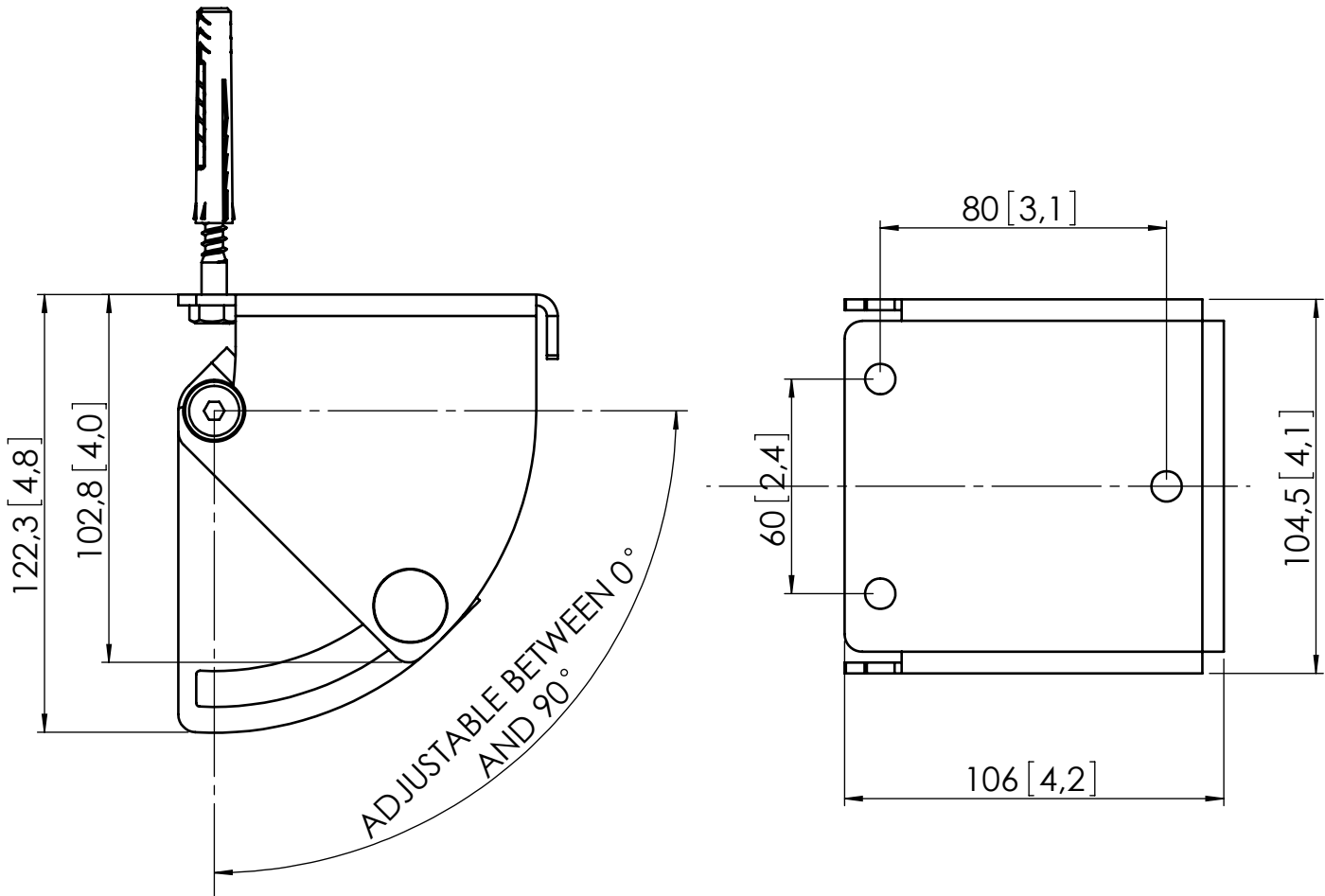
Dimensions in mm [inch]

PUC1030 CEILING PLATE SMALL TILT

Max weight 30Kg/33Lbs
 60kG/66Lbs (balanced)

Mounting material:

- 3x WOOD SCREW 7 X 80
- 3X FISCHER DOWEL
- 1X GROOVED PIN
- 1X CEILING COVER
- 1x COUNTERSUNK HEAD SCREW M10X50
- 2X MUSHROOM BOLT M8
- 1X CONICAL SEAT M10
- 2X HEXAGON FLANGE NUT M8
- 2X HEXAGON HEAD CAP SCREW M8
- 1X WASHER



02	10-12-2009	2009-311 RELEASE FOR PRODUCTION; DRAWING CHANGE ITEM 4&5
----	------------	--

Note:
This document and specifications herein are confidential and the exclusive property of Vogel's Products b.v. Neither this design nor any information contained in this drawing may be reproduced or disclosed to others without written consent of Vogel's Products b.v. The design and information will not be reproduced, copied or used, either in part or in its entirety, as the basis for the manufacture or sale of items without written permission.

Warning: Please study all instructions and illustrations carefully before installation.

Information in this document is subject to change without further notice.

T315550_02_02
18-11-2009