



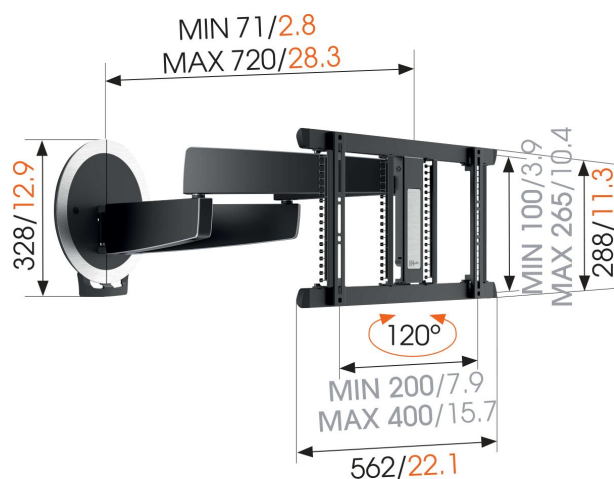
MotionMount (NEXT 7356) Full-Motion Motorised TV Wall Mount ideal for OLED TVs

Key Benefits

- Ideal for LG OLED TVs
- The viewing position can be adjusted at any moment, manually or with the app
- Turns automatically when the TV is switched on and off
- Up to 10 pre-programmable positions (via app)
- Easily mounted: plug & play

Add automatic movement to turn your OLED TV

Discover the specific qualities of the electronic full motion OLED TV wall mount, the OLED MotionMount (NEXT 7356). OLED TVs are thin and fragile. That's why Vogel's developed an electronic full motion OLED wall mount ideal for OLED TVs. This electronic TV wall mount automatically turns towards you, up to 120 degrees, wherever you sit in the room and it is suitable for 40-65 inch (100-165 cm) TVs with a maximum weight of 30 kg. As soon as you switch on your TV, the MotionMount moves to your preset viewing position in one smooth movement. When you turn off the TV, the OLED TV and the MotionMount gracefully move back against the wall. With this wall mount, you never need to touch your fragile OLED screen again. Even mounting and installing the OLED MotionMount is really simple. Everything is plug & play: put the plug in the socket and everything works!



mm/inch
VESA mounting holes



MotionMount (NEXT 7356) Full-Motion Motorised TV Wall Mount ideal for OLED TVs

Specifications

Article number (SKU)	8738170
Colour	Black
EAN single box	8712285338120
Product size	OLED
TÜV certified	Yes
Turn	Motion (up to 120°)
Guarantee	Lifetime
Guarantee electrical parts	2 years
Min. screen size (inch)	40
Max. screen size (inch)	65
Max. weight load (kg/Lbs)	30 / 66.14
Min. hole pattern	200mm x 200mm
Max. hole pattern	400mm x 265mm
Max. bolt size	M8
Max. height of interface (mm)	288
Max. width of interface (mm)	562
App Controlled	Yes
Bluetooth audio streaming	No
Cable management	Cable sock Cable velcro straps Cable management integrated in arm Cable fingers for cable management on the back of your TV
Certifications	CE CB TÜV
Integrated soundbar	No
Max. distance to the wall (mm / inch)	720 / 28.35
Max. horizontal hole pattern (mm)	400
Max. vertical hole pattern (mm)	265
Min. distance to the wall (mm / inch)	72 / 2.83
Motorized	Yes
Number of pivot points	4
Remote controlled	Yes
Universal or fixed hole pattern	Universal
Voltage	230 V, 50 Hz
Awards	Get Connected Product Design Award 2016 Good Industrial Design Award iF Product Design Award Plus X Product Design Award 2014 Red Dot Product Design Award
Max. thickness desk	Vogel's. For Sure. Get Connected Product Design Award 2016 Good Industrial Design Award iF

VOGEL'S HOLDING BV (©)

All rights reserved.
Subject to printing errors,
technical and price
amendments.

Date: 2023-01-14



Max. thickness desk