



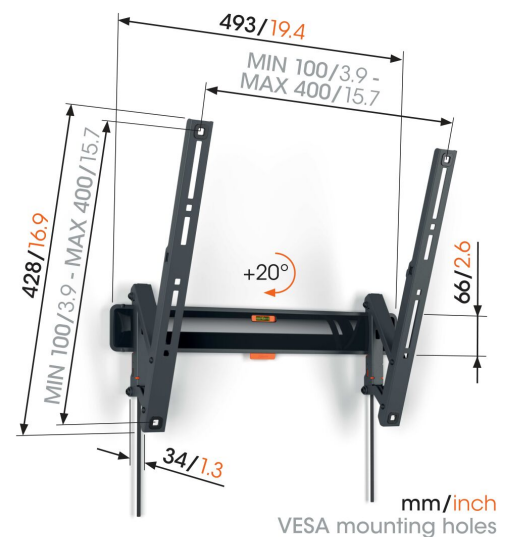
## TVM 3415 Tilting TV Wall Mount

### Key Benefits

- Effortless tilting - Avoid reflections and tilt up to 20°
- Family friendly TV watching - Easy to use, safe for your family
- Lock your TV with a single click through ClickLoc™
- Spirit level included
- Protective TV patches - Protect the rear of your TV with soft protective patches

### Stylish and safe: tilting TV wall mount for TVs from 32 to 65 inches

The COMFORT Tilt TV wall mount is ideal if you want to mount your TV a bit higher on the wall, for example in your bedroom. Your TV is mounted stylishly and safely. And you can tilt the screen up to 20° to create a comfortable viewing angle. The TV wall mount is suitable for TVs from 32 to 65 inches and weighing up to 25 kg.





## TVM 3415 Tilting TV Wall Mount



# Specifications

|                                   |                |
|-----------------------------------|----------------|
| Article number (SKU)              | 3834150        |
| Colour                            | Black          |
| EAN single box                    | 8712285347740  |
| Product size                      | M              |
| Height                            | 428            |
| Width                             | 493            |
| TÜV certified                     | Yes            |
| Tilt                              | Tilt up to 20° |
| Guarantee                         | 10 years       |
| Min. screen size (inch)           | 32             |
| Max. screen size (inch)           | 65             |
| Max. weight load (kg)             | 25             |
| Min. hole pattern                 | 100mm x 100mm  |
| Max. hole pattern                 | 400mm x 400mm  |
| Max. bolt size                    | M8             |
| Max. height of interface (mm)     | 428            |
| Max. width of interface (mm)      | 493            |
| Max. horizontal hole pattern (mm) | 400            |
| Max. vertical hole pattern (mm)   | 400            |
| Min. distance to the wall (mm)    | 34             |
| Spirit level included             | Yes            |
| Universal or fixed hole pattern   | Universal      |

VOGEL'S HOLDING BV (©)

All rights reserved.  
Subject to printing errors,  
technical and price  
amendments.

Date: 2022-06-02



**Vogel's.** For Sure.