



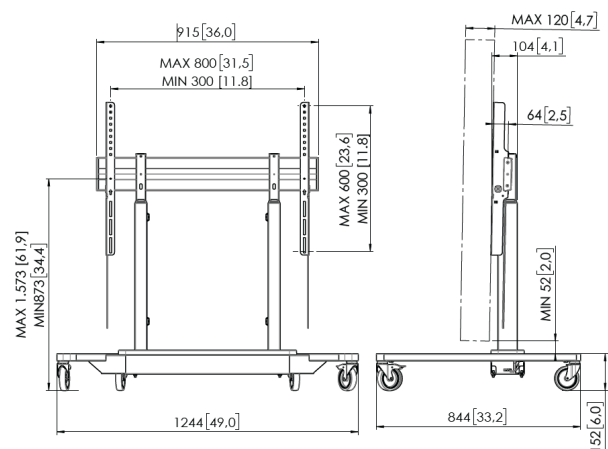
RISE 4205 Motorized Display Lift trolley, 50mm/s, 700mm stroke (Black, EU)

Key Benefits

- Height adjustment range of no less than 700 mm
- Movement speed of 50 mm/s for the heaviest screens with QuickRise®
- TÜV, CE, UL and GS certified
- Specially designed foot for extra safety
- Anti-collision on the display lift prevents damage

Position screen smoothly and safely at the right height

A RISE 4205 electric display and TV lift trolley is suitable for displays up to 86" and up to 120 kg. This lift lends itself perfectly to large interactive screens and, at a speed of 50mm/s, safely and easily lifts the screen to the desired height. This lift also has a height adjustment of 700 mm, making it ideal for use in a school or business environment. Thereby, the open nature of the trolley frame makes it easy to move within (older) school or office buildings. The top down mounting ensures quick installation. The warranty is 5 years. Safety is paramount. Vogel's display lifts meet the highest international safety standards TÜV, CE, and GS. In addition, this trolley also complies with ADA guidelines, which means that persons with reduced mobility can also easily operate the display. Although programmed for 86-inch screens, these electric lift systems can be used for most 98-inch screens. Sometimes a small software adjustment (adjustment of height) may be necessary (see user manual).





RISE 4205 Motorized Display Lift trolley, 50mm/s, 700mm stroke (Black, EU)



Specifications

Motorized	Yes
Remote controlled	Yes
Min. screen size (inch)	43
Min. screen size (inch)	43
Max. screen size (inch)	86
Max. screen size (inch)	86
Min. horizontal hole pattern (mm)	100
Max. horizontal hole pattern (mm)	900
Min. vertical hole pattern (mm)	100
Max. vertical hole pattern (mm)	600
Min. distance to floor - center display (mm)	873
Max. distance to floor - center display (mm)	1573
Max. weight load (kg)	120
Max. weight load (Lbs)	264.55
Height adjustment (mm)	700
Cable management	Integrated cable management
Max. number of cables to hold	Up to 5 cables
Anti Collision safety mechanism	Yes
Width	1244
Depth	844
Article number (SKU)	7342050
EAN single box	8712285408786
Colour	Black
Certifications	ADA CE GS TÜV
TÜV certified	Yes
Guarantee	5 years

VOGEL'S HOLDING BV (©)

All rights reserved.
Subject to printing errors,
technical and price
amendments.

Date: 2024-11-21



Vogel's. For Sure.