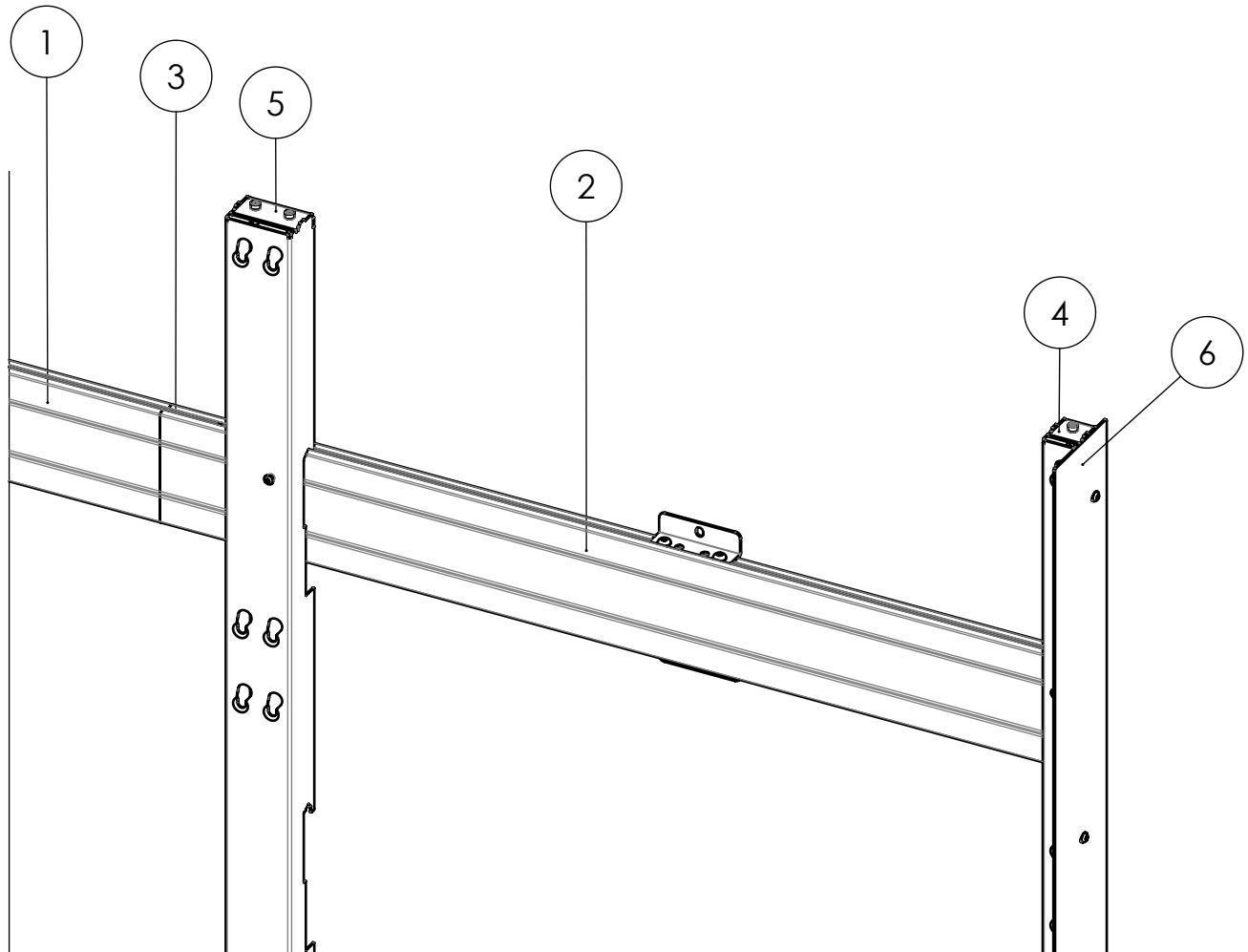


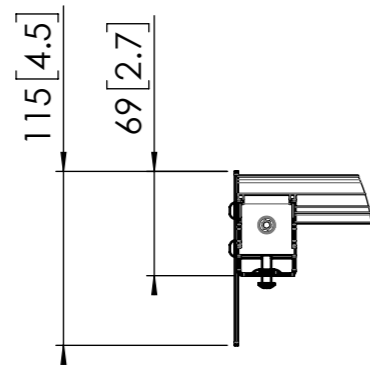
Product data sheet

INT8102 SAMSUNG IER/IFR 2.0MM (4x4)

Dimensions in mm [inch]

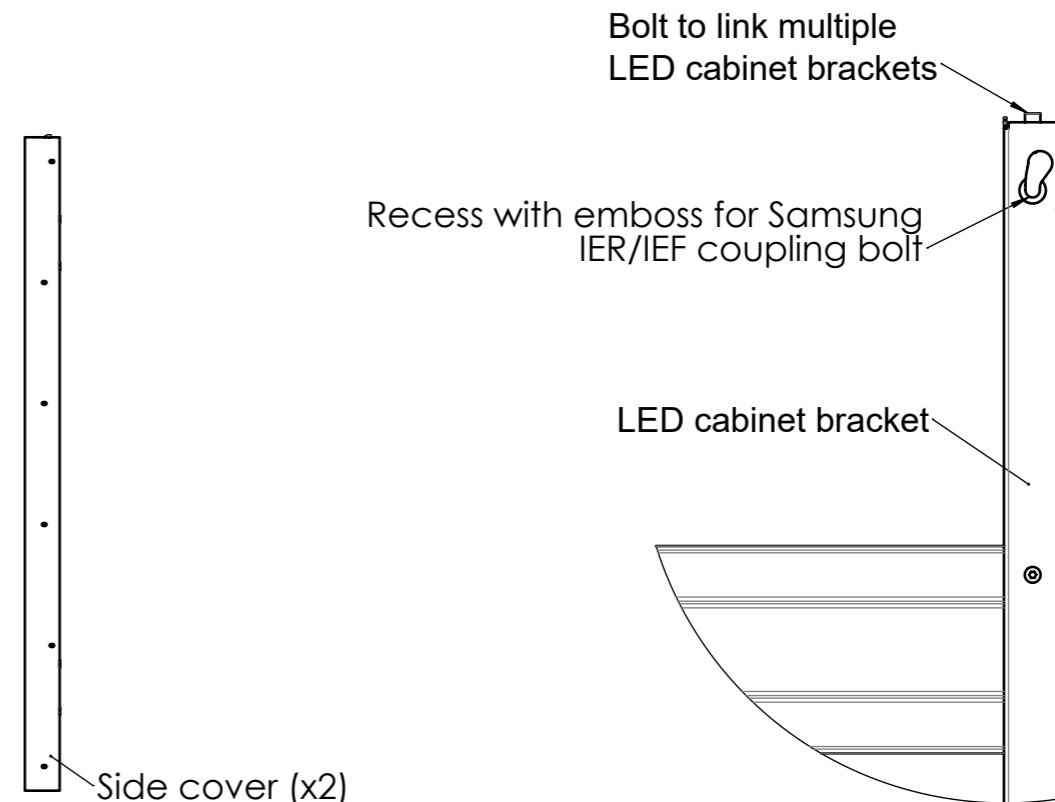
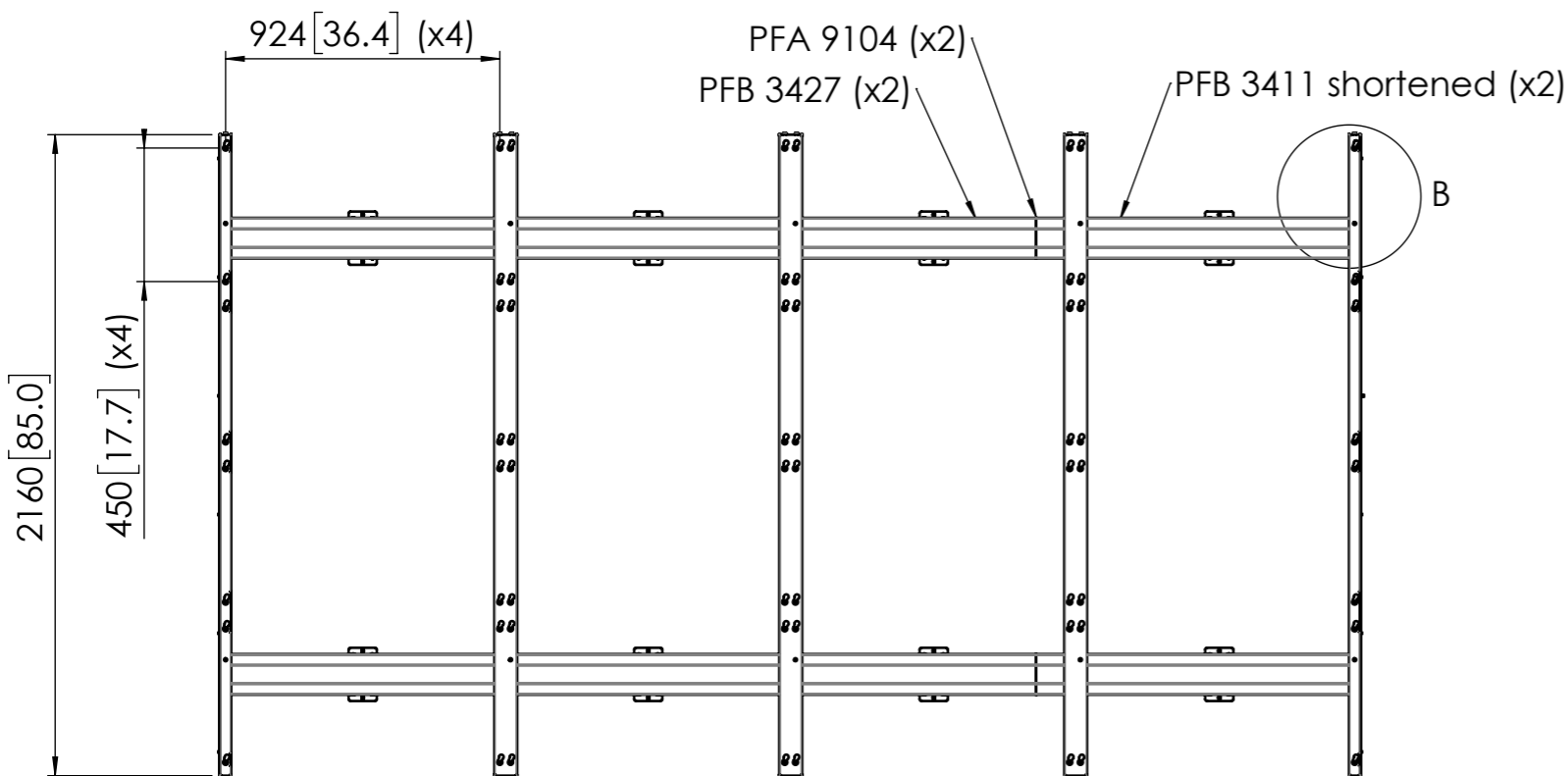
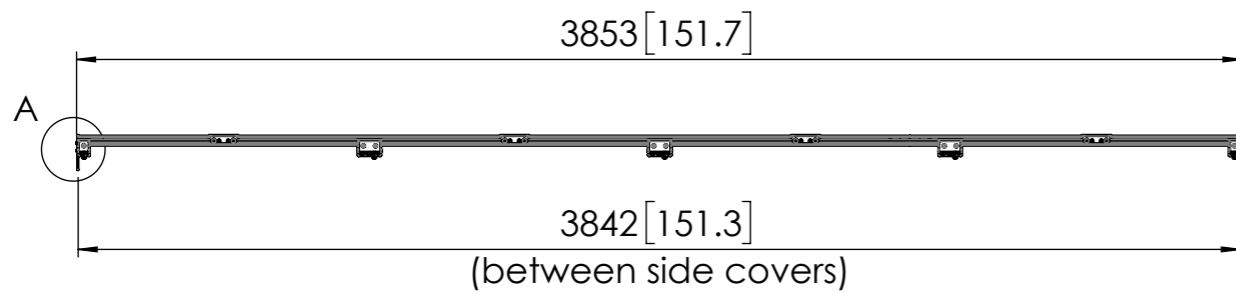
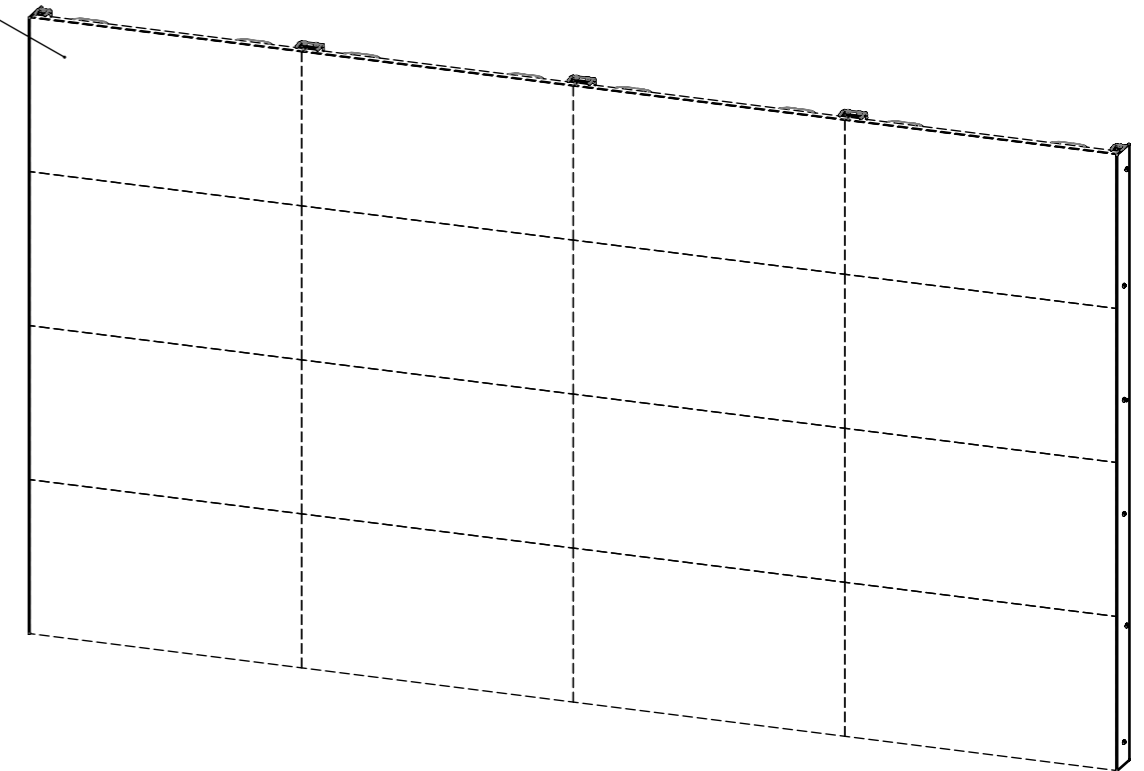


ITEM NO.	PART NUMBER	DESCRIPTION	QTY.
1	PFB 3427	DISPLAY INTERFACE BAR	2
2	PFB 3411	DISPLAY INTERFACE BAR	2
3	PFA 9104	BAR COUPLER FOR PFB 34XX	2
4	PLI 8103H4LS	SINGLE ARM 4-HLS	1
5	PLI 8103H4LD	DOUBLE ARM 4-HLS	3
6	PLA 8103H4L	SIDE COVER 4-HLS	1



A (1 : 5)

Samsung IER/IEF LED cabinet (x16)



B (1 : 5)

Note: This document and specifications herein are confidential and the exclusive property of Vogel's Products b.v. Neither this design nor any information contained in this drawing may be reproduced or disclosed to others without written consent of Vogel's Products b.v. The design and information will not be reproduced, copied or used, either in part or in its entirety, as the basis for the manufacture or sale of items without written permission.
Warning: Please study all instructions and illustrations carefully before installation.
 Information in this document is subject to change without further notice.