

PFA 9015 Pole Silver

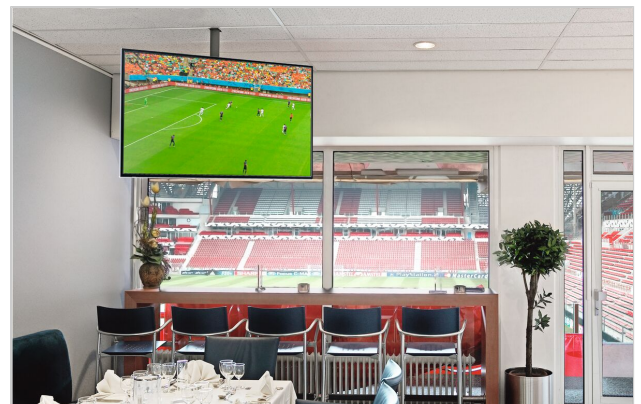
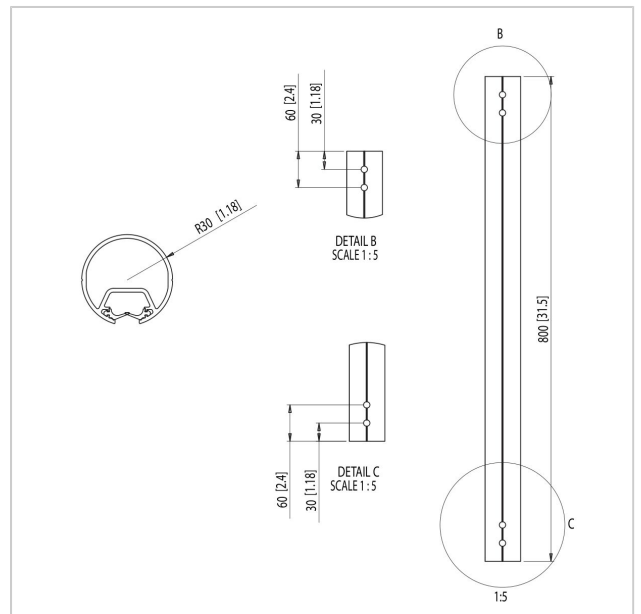
Article number (SKU)
Colour

7390154
Silver

Key Benefits

- Back-to-back solution possible

The PFA 9015 80 cm extension tube can be used to mount LCD/Plasma TV's and/or projectors to the ceiling (in combination with other modular parts).





PFA 9015 Pole Silver

www.vogels.com

VOGEL'S HOLDING BV 2019 (c) All rights reserved.
Subject to printing errors, technical and price amendments.
Date: 2019-05-14

Specifications

Product type number	PFA 9015
Article number (SKU)	7390154
Colour	Silver
EAN single box	8712285307447
Length	800
TÜV certified	Yes
Guarantee	5 years
Max. weight load (kg)	60
Back-to-back displays	True

