

**physix**<sup>®</sup>  
by **vogel's**

[STRONGANDSIMPLE.COM](http://STRONGANDSIMPLE.COM)

**MOUNTING  
INSTRUCTIONS**  
**MULTI  
SUPPORT**

- ☐ Multi-Halter
- ☐ Multi-support
- ☐ Multi Support
- ☐ Soporte múltiple
- ☐ Multi supporto
- ☐ Soporte múltiplo
- ☐ Multistöd
- ☐ Wspornik uniwersalny
- ☐ Универсальный кронштейн
- ☐ Podpěra
- ☐ Podpera
- ☐ Univerzális tartó
- ☐ Çoklu Destek
- ☐ Support multiplu
- ☐ Кронштейн
- ☐ Мульти поддержка
- ☐ マルチサポート

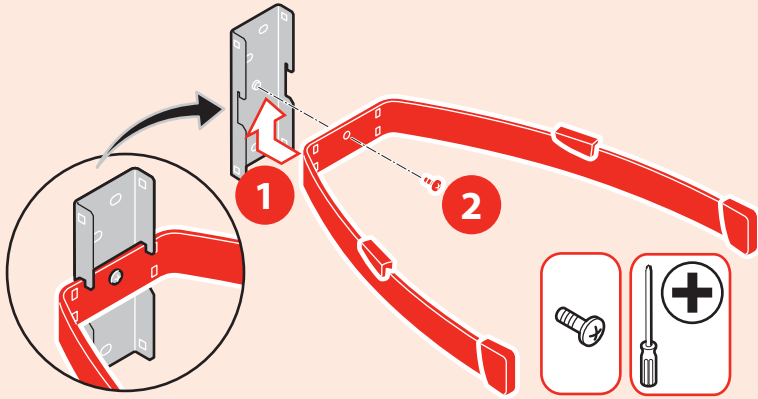
Physix® 28060108-2 / 2009-12

Physix® is a registered trademark of Vogel's Products BV

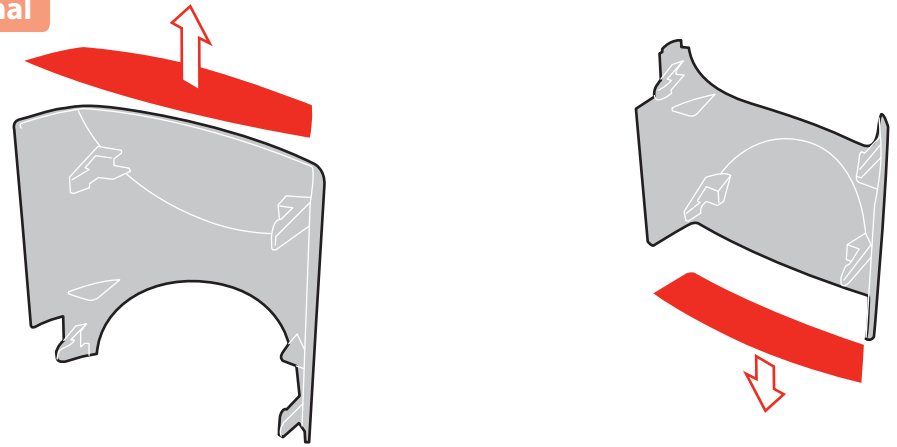
Designed and engineered in The Netherlands  
Made in the P.R.C.  
Vogel's Products BV, NL 5628 DB Eindhoven  
[www.strongandsimple.com](http://www.strongandsimple.com)



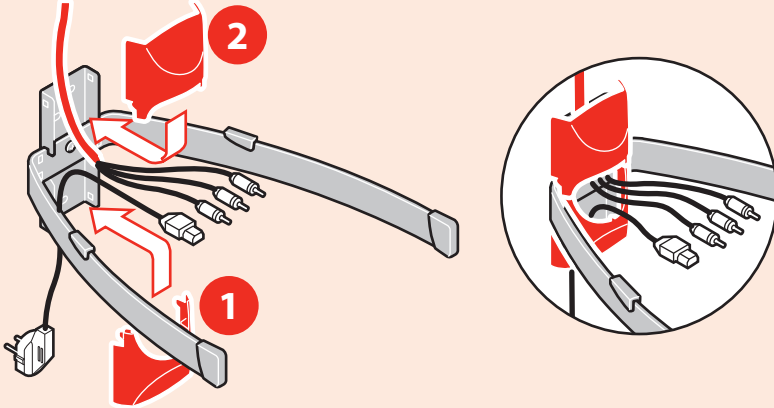
4



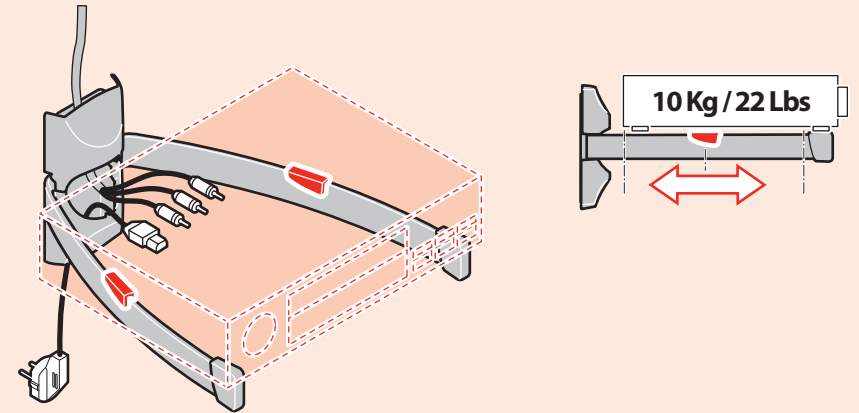
Optional



5



6



Optional

