

PFFE 7105 Motorized display lift 50 cm

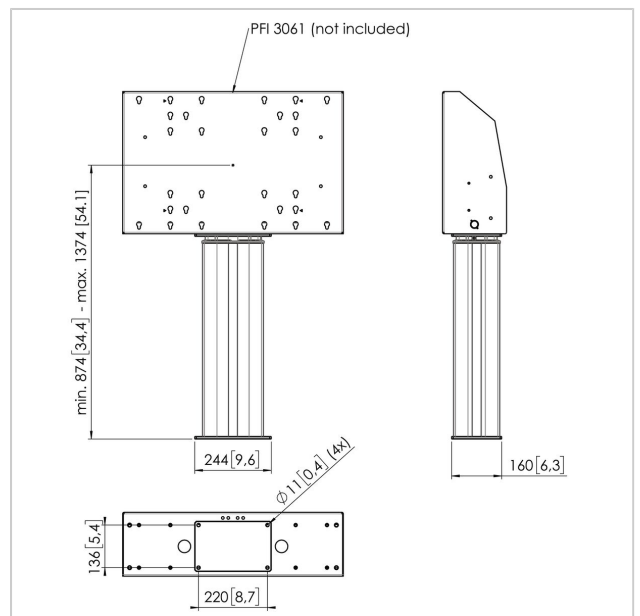
Article number (SKU) 7371054
 Colour Silver

Key Benefits

- Modular
- Quick and easy installation
- Solid construction
- Suitable for heavy displays

The Vogel's PFFE 7105 display lift is ideal for situations where a low built-in height is required, such as preschool and middle school classrooms.

The modularity of the motorized line-up allows users to create almost any solution imaginable with just a few components. The display lifts can be mounted directly to the floor, combined with a floor plate or with a trolley base when mobility is desired. Combine one or two PFFE 7105 display lifts with the PFI 3061 Interface box and you will have the perfect mounting solution for almost all large format displays and touchscreens. When floor mounted the PFA 9134 is required to be used. Use the optional PFA 9119 electronic safety strip to prevent damage when the movement is blocked by an object.





PFFE 7105 Motorized display lift 50 cm

www.vogels.com



VOGEL'S HOLDING BV 2019 (c) All rights reserved.
Subject to printing errors, technical and price amendments.
Date: 2019-07-31

Specifications

Product type number	PFFE 7105
Article number (SKU)	7371054
Colour	Silver
EAN single box	8712285342981
Guarantee	5 years
Min. screen size (inch)	49
Max. screen size (inch)	90
Max. weight load (kg)	135
Max. distance to floor - center display (mm)	1374
Min. distance to floor - center display (mm)	874
Motorized	True
Remote controlled	Yes
Travel	500

