



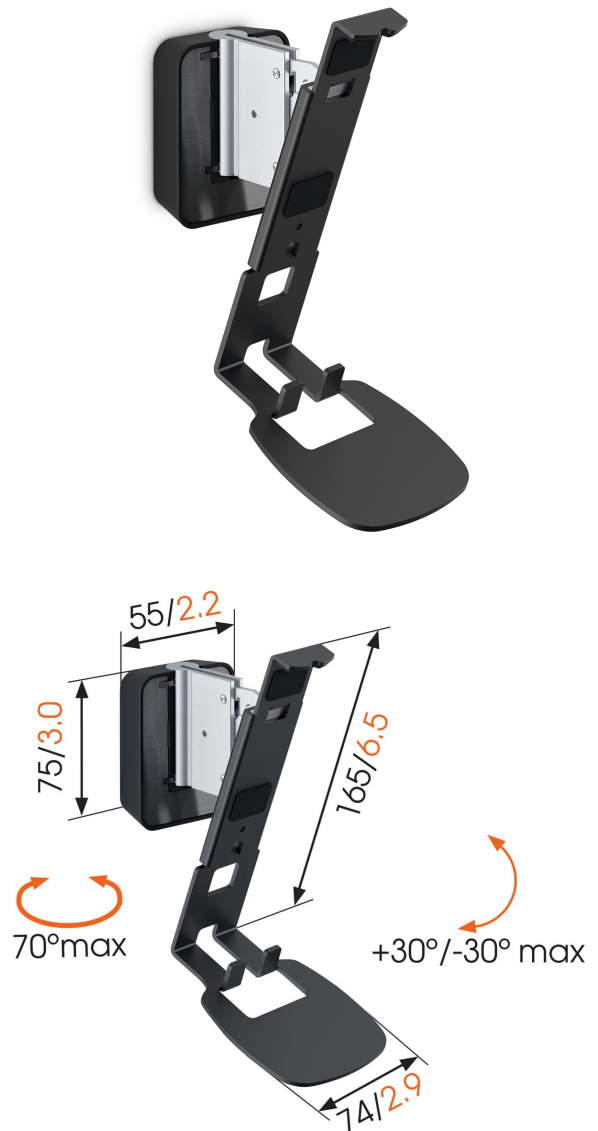
## SOUND 4201 Speaker Wall Mount for Sonos One (SL) & Play:1 (black)

### Key Benefits

- Create the best listening position
- Easily adjust your speaker angle with one hand
- Integrated spirit level
- Position your speakers in line of sight

### Get more out of your Sonos One (SL) & Play:1

Integrate your Sonos One (SL) & Play:1 speaker seamlessly into your interior design by mounting it anywhere on your wall with the Vogel's SOUND 4201 wall mount. Mount the bracket high or low, out of sight or in plain view - the wide turn ( $70^\circ$ ) and tilt ( $30^\circ$  up and down) capacity make sure that you can always angle your speaker to sound best. This low-profile speaker mount provides secure support for your Sonos One (SL) & Play:1 and comes in black or white to match the colour of your speaker. Installing the mount perfectly straight is a breeze, thanks to the integrated spirit level.



mm/inch



## SOUND 4201 Speaker Wall Mount for Sonos One (SL) & Play:1 (black)



### Specifications

Article number (SKU)	8152020
Colour	Black
EAN single box	8712285341403
Height	165
Width	74
TÜV certified	Yes
Tilt	Tilt -30°/+30°
Turn	Up to 70°
Guarantee	5 years
Max. weight load (kg/Lbs)	5 / 11.02
Certifications	TÜV
Speaker brand	Sonos
Speaker models	Sonos PLAY:1 Sonos One
Spirit level included	Yes
Awards	Good Industrial Design Award
Max. thickness desk	Good Industrial Design Award

VOGEL'S HOLDING BV (©)

All rights reserved.  
Subject to printing errors,  
technical and price  
amendments.

Date: 2023-01-13



**Vogel's.** For Sure.