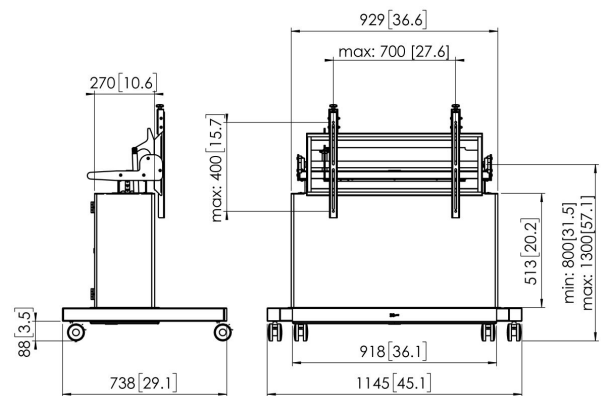




PFTE 7121 Motorized Touch Table

The Vogel's touch table supports interactivity in every context at every angle. Whether it is a museum, trade fair or an university, the touch table allows you to show your content at its best.





PFTE 7121 Motorized Touch Table



Specifications

Article number (SKU)	7371214
Colour	Silver
EAN single box	8712285337161
Guarantee	5 years
Min. screen size (inch)	50
Max. screen size (inch)	86
Max. weight load (kg/Lbs)	160 / 352.74
Max. distance to floor - center display (mm)	1300
Max. horizontal hole pattern (mm)	700
Max. vertical hole pattern (mm)	400
Min. distance to floor - center display (mm)	800
Min. horizontal hole pattern (mm)	100
Min. vertical hole pattern (mm)	100
Motorized	Yes
Remote controlled	Yes
Height adjustment (mm)	500

VOGEL'S HOLDING BV (©)

All rights reserved.
Subject to printing errors,
technical and price
amendments.

Date: 2023-01-14