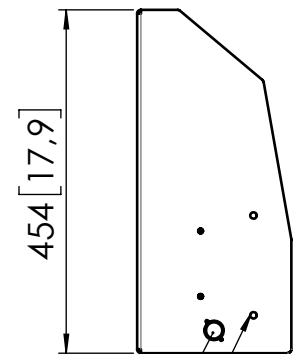
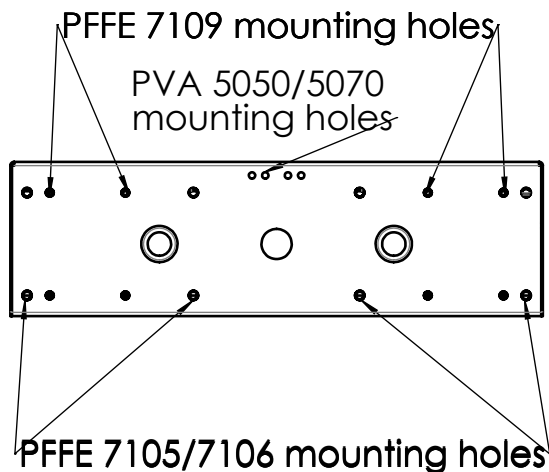
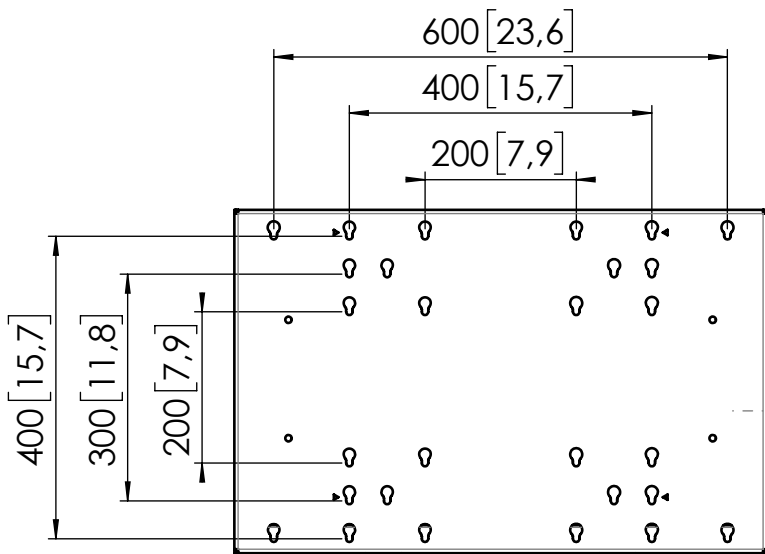
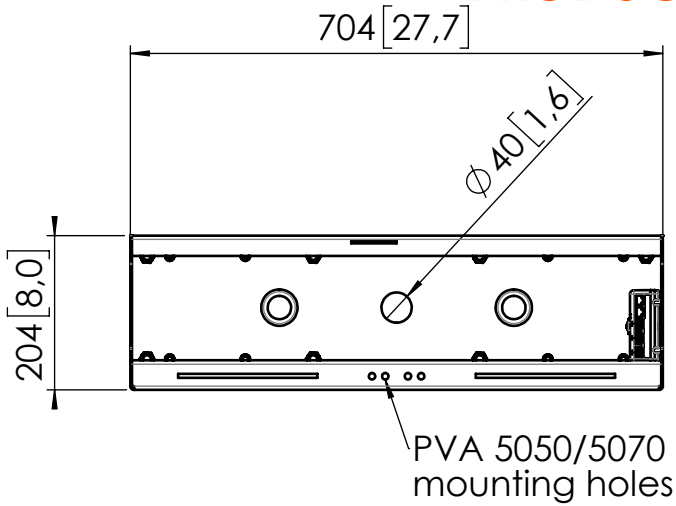


# Product data sheet

## PRODUCT DATA SHEET PFI 3061/3062

Dimensions in mm [inch]

PFI 3061 is compatible with PFFE 7105 / 7106  
 PFI 3062 is compatible with PFFE 7109



Break out for  
neutrik connector

PFA 9124  
mounting holes