



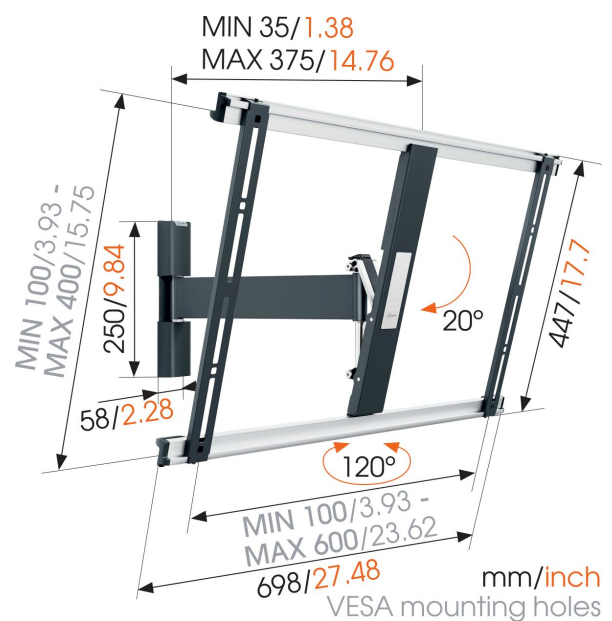
## THIN 525 ExtraThin Full-Motion TV Wall Mount

### Key Benefits

- Mount your TV only 3,5 cm from the wall
- Smoothly turn your TV up to 120°
- Tilt (up to 20°) to avoid reflections
- Install your mount perfectly level: spirit level included!
- Use the app and mark the first drilling hole easily!

### Extra-thin full motion TV bracket for large TVs

The THIN 525 full motion TV bracket has a maximum weight capacity of 25 kg. Almost any TV, from 40" to 65" (102-165 cm), can be mounted flat against the wall with the THIN 525. The maximum turning angle is 120° and the max. tilting angle is 20°. The distance from the wall is 35 mm.





## THIN 525 ExtraThin Full-Motion TV Wall Mount

# Specifications

Article number (SKU)	8395250
Colour	Black
EAN single box	8712285335020
Product size	L
TÜV certified	Yes
Tilt	Tilt up to 20°
Turn	Motion (up to 120°)
Guarantee	Lifetime
Min. screen size (inch)	40
Max. screen size (inch)	65
Max. weight load (kg/Lbs)	25 / 55.12
Min. hole pattern	100mm x 100mm
Max. hole pattern	600mm x 400mm
Max. bolt size	M8
Max. height of interface (mm)	449
Max. width of interface (mm)	711
Cable management	Cable clip
Certifications	TÜV
Max. distance to the wall (mm / inch)	375 / 14.76
Max. horizontal hole pattern (mm)	600
Max. vertical hole pattern (mm)	400
Min. distance to the wall (mm / inch)	35 / 1.38
Number of pivot points	2
Spirit level included	Yes
Universal or fixed hole pattern	Universal
Awards	Red Dot Product Design Award
Max. thickness desk	Red Dot Product Design Award

VOGEL'S HOLDING BV (©)

All rights reserved.  
Subject to printing errors,  
technical and price  
amendments.

Date: 2023-01-15



**Vogel's.** For Sure.