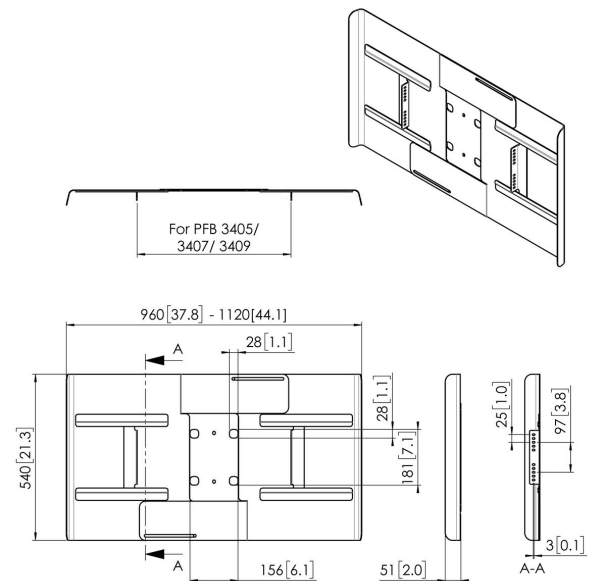


PFA 9115 Back Covers Landscape 42-49"

Universal display rear covers are designed to cover the rear of the display, hiding cables and players from view and to prevent for tampering. The rear covers can be used in combination with Connect-it ceiling and Connect-it floor solutions. The PFA 9115 and PFA 9116 are for single pole landscape mounting. The PFA 9120 and PFA 9121 are for single pole portrait mounting.





PFA 9115 Back Covers Landscape 42-49"

Specifications

Min. screen size (inch)	42
Max. screen size (inch)	49
Orientation	Landscape
Article number (SKU)	7291150
EAN single box	8712285324864
Colour	Black
Certifications	TAA
Guarantee	5 years

VOGEL'S HOLDING BV (©)

All rights reserved.
Subject to printing errors,
technical and price
amendments.

Date: 2025-05-29

www.vogels.com

Vogel's. For Sure.