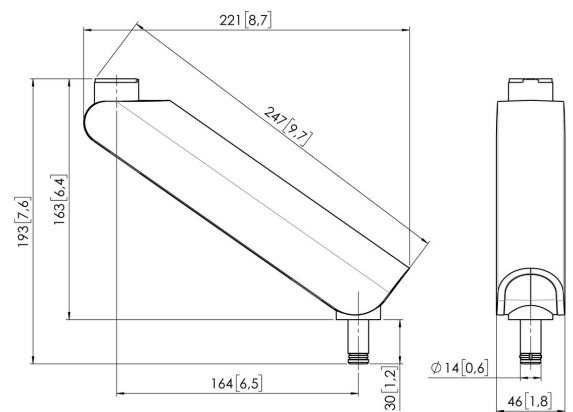




MOMO C316 Monitor Arm Motion Component, angled, 16 cm (white)

Største fordele

Build your ideal monitor arm The MOMO C316 Monitor Arm Component, straight, 16 cm, is part of MOMO Motion and Motion+. Specially designed for mounting the monitor arm or interface together. Endless possibilities Create a multi-monitor set-up with just a few components. Including both straight and angled positions. MOMO monitor arm accessories and components are installed using just one allen (hex) key, cleverly integrated into the product. So you'll always have the right tool at hand.





MOMO C316 Monitor Arm Motion Component, angled, 16 cm (white)



Specifikationer

Varenummer	7163161
Farve	Hvid
EAN enkelt pakke	8712285354328
TÜV-certificeret	Ja
Garanti	10 år

VOGEL'S HOLDING BV (©)

All rights reserved.
Subject to printing errors,
technical and price
amendments.

Date: 2023-06-16



Vogel's. For Sure.