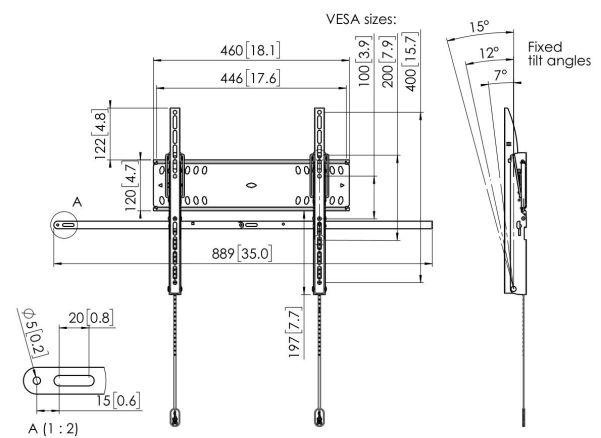


PFW 4510 Display Wall Mount tilt

This locking tilting wall mount helps protect large flat panel displays in public areas against theft. The PFW 4000 series is designed for public areas that cannot be continuously supervised. For displays mounted high on the wall, tilting the display forward helps create a better viewing angle. The PFW 4510 wall mount, 52 mm deep, can tilt up to 15°, in 0°, 7°, 12° and 15° increments. The PFW 4510 is suitable for 42 to 55 inch displays weighing up to 50 kg.





PFW 4510 Display Wall Mount tilt

Specifications

Article number (SKU)	7045100
Colour	Black
EAN single box	8712285338625
Product size	M
TÜV certified	Yes
Tilt	Tilt up to 15°
Guarantee	5 years
Min. screen size (inch)	42
Max. screen size (inch)	55
Max. weight load (kg/Lbs)	50 / 110.23
Max. bolt size	M8
Max. height of interface (mm)	438
Max. width of interface (mm)	460
Autolock	True
Fischer inside	Yes
Lockable	True
Lock options	Lock included / integrated
Max. horizontal hole pattern (mm)	400
Max. screen size (inch)	55
Max. vertical hole pattern (mm)	400
Min. distance to the wall (mm / inch)	52 / 2.05
Min. horizontal hole pattern (mm)	100
Min. screen size (inch)	42
Min. vertical hole pattern (mm)	100
Orientation	Landscape
Service position	No

VOGEL'S HOLDING BV (©)

All rights reserved.
Subject to printing errors,
technical and price
amendments.

Date: 2023-01-30



Vogel's. For Sure.