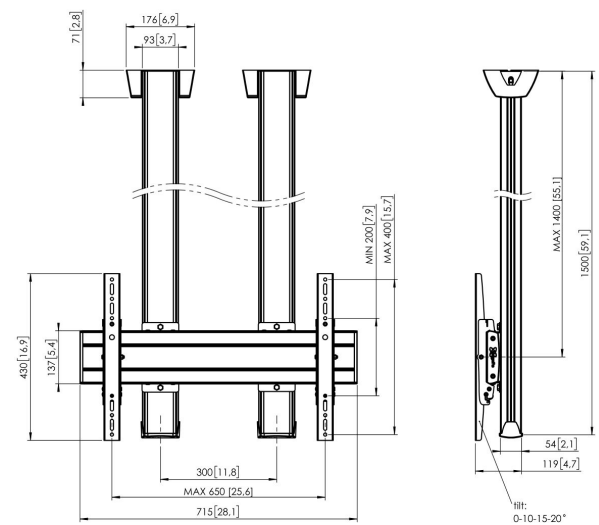




CD1564B Display Ceiling Mount ≥65" fixed (black)

Ceiling mount kit CD1564

Display size: >65"65" Fitment: 600x400 Max. load: 160 kg - 352 lbs
 Kit consists of: • 2x PUC 1060 Ceiling plate • 2x PUC 2515 Pole 150 cm
 • 1x PFB 3407 Interface bar • 1x PFS 3204 Interface display strips
 • 1x PFA 9126 Bracket kit





CD1564B Display Ceiling Mount ≥65" fixed (black)



Specifications

Article number (SKU)	7950040
Colour	Black
EAN single box	8712285332241
Length	1500
Width	715
Depth	119
TÜV certified	Yes
Tilt	Tilt -3°/+3°
Guarantee	5 years
Max. weight load (kg/Lbs)	160 / 352.74
Min. hole pattern	100mm x 100mm
Max. hole pattern	650mm x 400mm
Max. bolt size	M8
Max. height of interface (mm)	430
Max. width of interface (mm)	715
Autolock	True
Ceiling types	Flat ceiling
Fischer inside	Yes
Max. distance to ceiling - center display (mm)	1400
Max. horizontal hole pattern (mm)	650
Max. vertical hole pattern (mm)	400
Min. horizontal hole pattern (mm)	100
Min. screen size (inch)	65
Min. vertical hole pattern (mm)	100
Universal or fixed hole pattern	Universal

VOGEL'S HOLDING BV (©)

All rights reserved.
Subject to printing errors,
technical and price
amendments.

Date: 2023-01-26



Vogel's. For Sure.