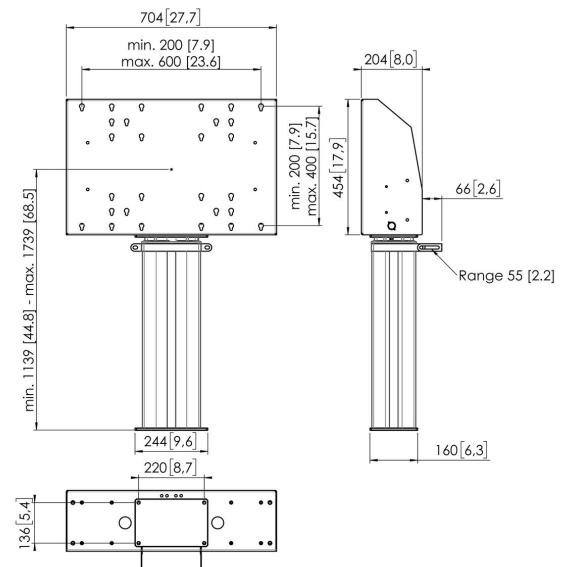




FME6064 Motorized Display Floor Stand, fixed to floor 60 cm

Motorised floor mounted kit FME6064

Display size: Fitment: 600x400 Max. load: 150 kg - 330 lbs Kit consists of: • 1x PFA 9134 Wall bracket motorized display lift • 1x PFFE 7106 Motorized display lift 60 cm • 1x PFI 3061 Interface box for PFFE 7105/7106 Use the optional PFA 9119 electronic safety strip to prevent damage when the movement is blocked by an object.





FME6064 Motorized Display Floor Stand, fixed to floor 60 cm



Specifications

Article number (SKU)	7960684
Colour	Silver
EAN single box	8712285343629
Width	704
Depth	204
Guarantee	5 years
Min. screen size (inch)	40
Max. screen size (inch)	88
Max. weight load (kg/Lbs)	150 / 330.69
Certifications	CE
Max. distance to floor - center display (mm)	1739
Min. distance to floor - center display (mm)	1139
Motorized	Yes
Remote controlled	Yes
Height adjustment (mm)	600

VOGEL'S HOLDING BV (©)

All rights reserved.
Subject to printing errors,
technical and price
amendments.

Date: 2023-01-28