



BASE 45 L Full-Motion TV Wall Mount

Article number (SKU)
Colour

8343345
Black

Key Benefits

- Strong and Simple: solid, secure solutions to mount your TV
- Smoothly turn your TV up to 180°
- Tilt (up to 15°) to avoid reflections

For TVs up to 82 inch (208 cm)

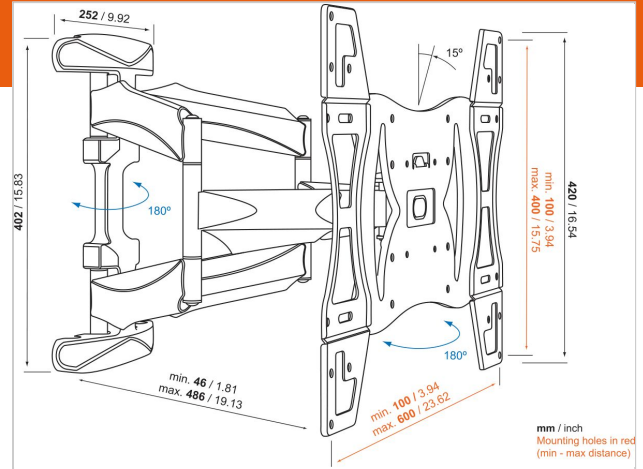
You've spent good money on a great TV. So when it comes to putting it pride of place, you don't want to risk mounting it with just any wall mount. For you, only the best will do. The BASE 45 L is a strong, solid wall mount that is suitable for 40 to 82 inch (102 up to 208 cm) TVs weighing up to 45 kg (99 lbs). Extra wide angle of rotation for an excellent viewing experience! The Base 45 L has an extra wide angle of rotation, which means that there is an optimal viewing experience from anywhere in the room, possibly even from another room! The mount could be flat against the wall when you are not watching tv, for the best of both worlds.

The BASE series: strong and simple

By choosing a BASE series wall mount, you choose a solid, secure solution for mounting your TV on the wall. A sturdy lock release feature clicks your TV safely into the bracket. Mounting the BASE 45 L is easy, as it comes with clear mounting instructions and all the mounting materials you need.



Ultra strong
Built for large and heavy TVs





BASE 45 L Full-Motion TV Wall Mount

www.vogels.com

VOGEL'S HOLDING BV 2019 (c) All rights reserved.
Subject to printing errors, technical and price amendments.
Date: 2019-07-19

Specifications

Product type number	BASE 45 L
Article number (SKU)	8343345
Colour	Black
EAN single box	8712285324369
Product size	XL
TÜV certified	Yes
Tilt	Tilt up to 15°
Turn	Full motion (up to 180°)
Guarantee	10 years
Min. screen size (inch)	40
Max. screen size (inch)	82
Max. weight load (kg)	45
Max. bolt size	M8
Max. height of interface (mm)	420
Max. width of interface (mm)	627
Cable management	Integrated cable management
Max. distance to the wall (mm)	486
Min. distance to the wall (mm)	46
Service position	No
Spirit level included	No
Universal or fixed hole pattern	Fixed
What's in the box	<ul style="list-style-type: none">• Mounting instructions• TV mounting kit• Wall mount• Wall mounting kit

