



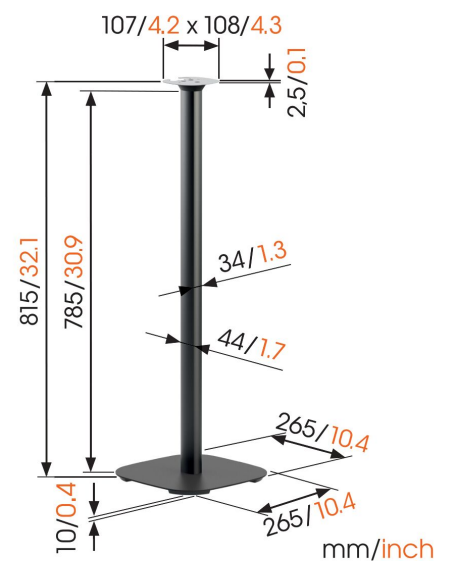
SOUND 6301 Speaker Stand for Bowers & Wilkins Formation Flex

Key Benefits

- Perfect listening position anywhere in the room
- Guide your cables
- Stylish high-end design

Get more out of your Formation Flex®

The Vogel's SOUND 6301 speaker stand for Bowers & Wilkins Formation Flex has been specially designed for this incredible speaker. This joining of forces takes the legendary sound up another notch. The black floor speaker stand with slim design is 82 cm in height, placing the speaker at the perfect listening height. Mounting the speaker on this stand is quick and easy. Cables can be run through the stand, achieving a sleek and minimalist design. This makes the stand a perfect fit for any interior. Always go for the ideal listening experience. Vogel's speaker stands are easy to move and enable you to choose the perfect listening position for your speaker. Simply move the speaker to direct the sound towards you and enjoy the music.





SOUND 6301 Speaker Stand for Bowers & Wilkins Formation Flex



Specifications

Article number (SKU)	8153060
Colour	Black
EAN single box	8712285348389
TÜV certified	Yes
Max. weight load (kg/Lbs)	3 / 6.61
Cable management	Integrated cable management
Certifications	TÜV
Speaker brand	Bowers & Wilkins
Speaker models	Bowers & Wilkins Formation Flex

VOGEL'S HOLDING BV (©)

All rights reserved.
Subject to printing errors,
technical and price
amendments.

Date: 2023-01-26

