

## PFS 3311 Display interface strips tilt

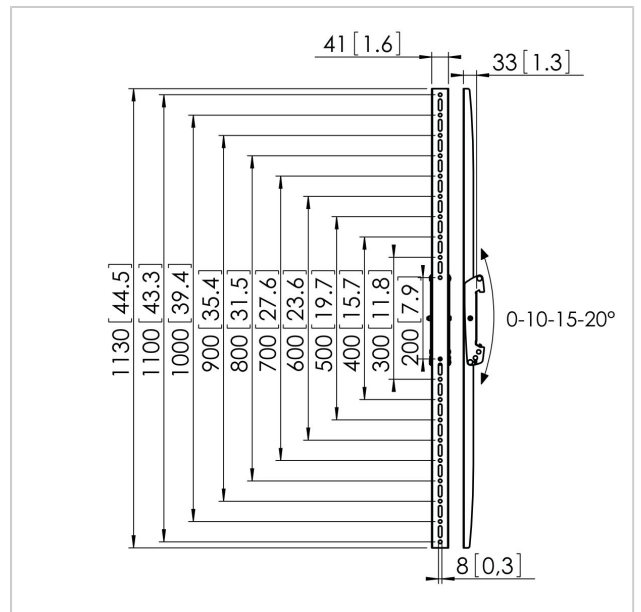
Article number (SKU) 7233110  
Colour Black

### Key Benefits

- Modular
- Quick and easy installation
- Theft prevention
- Tilt function in steps

The PFS 3311 interface display strips is part of the modular Connect-it system with which you can create your own ceiling or floor solution for medium to large sized displays.

The PFS 3311 is suitable for medium to large sized displays up to 80 kg with a max. vertical fitment of 1100 mm. For creating a ceiling solution combine the PFS 3308 with a Connect-it ceiling plate, pole (PUC 25xx Series) and interface bar (PFB 34xx Series). For creating a floor solution combine the PFS 3311 with a Connect-it floor plate/ trolley, pole (PUC 27xx Series) and interface bar (PFB 34xx Series). The PFS 3311 can also be combined with the motorized products (PFFE 7110, PFTE 7112, PFEW 7150).





## PFS 3311 Display interface strips tilt

[www.vogels.com](http://www.vogels.com)

VOGEL'S HOLDING BV 2019 (c) All rights reserved.  
Subject to printing errors, technical and price amendments.  
Date:2020-03-09

## Specifications

Product type number	PFS 3311
Article number (SKU)	7233110
Colour	Black
EAN single box	8712285318948
Height	1130
TÜV certified	Yes
Tilt	Tilt up to 20°
Guarantee	5 years
Max. weight load (kg)	80
Max. bolt size	M8
Max. height of interface (mm)	1130
Max. width of interface (mm)	41
Connect It exceptions	2x back-to-back
Max. vertical hole pattern (mm)	1100
Min. vertical hole pattern (mm)	200
Service position	No

