

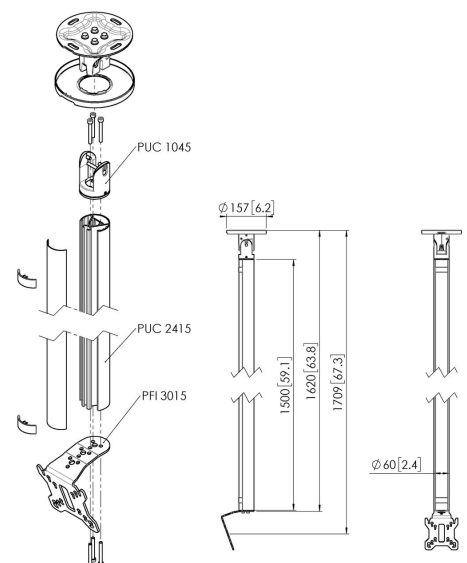
## CT241511 B Display Ceiling Mount 360° turn (black)

### Key Benefits

- Stylish high-end design
- Easy install
- Rotatable

### Ceiling mount kit CT241511

Display size: Fitment: 100x100Max. load: 30 kg - 66 lbs Kit consists of: • 1x PUC 1045 Ceiling plate turn and tilt • 1x PUC 2415 Pole 150 cm • 1x PFI 3015 Display interface



# CT241511B Display Ceiling Mount 360° turn (black)



## Specifications

Article number (SKU)	7955030
Colour	Black
EAN single box	8712285346965
Length	1620
Width	130
Depth	135
TÜV certified	Yes
Tilt	Tilt up to 20°
Turn	Up to 360°
Guarantee	5 years
Max. weight load (kg/Lbs)	30 / 66.14
Max. bolt size	M4
Max. height of interface (mm)	141
Max. width of interface (mm)	130
Ceiling types	Flat / inclined ceiling
Levelling function	Post-installation horizontal levelling
Max. distance to ceiling - center display (mm)	1709
Max. horizontal hole pattern (mm)	100
Max. screen size (inch)	32
Max. vertical hole pattern (mm)	100
Min. horizontal hole pattern (mm)	50
Min. screen size (inch)	10
Min. vertical hole pattern (mm)	50
Orientation	Landscape / Portrait
Universal or fixed hole pattern	Fixed

VOGEL'S HOLDING BV (©)

All rights reserved.  
Subject to printing errors,  
technical and price  
amendments.

Date: 2023-01-26

