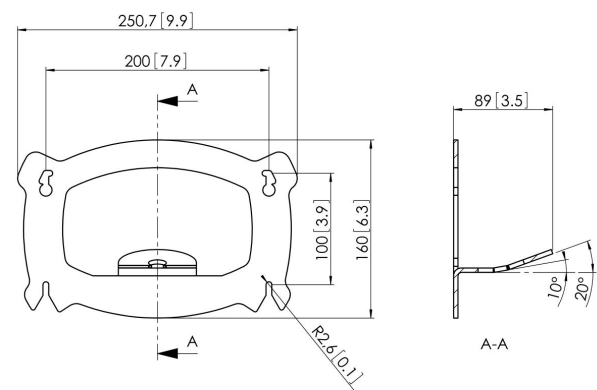




PFI 3020 Interface 200x100

The PFI 3020 display interface is a part of the modular Connect-it system with which you can create your own ceiling solution for small- to medium-sized displays.





PFI 3020 Interface 200x100

Specifications

Article number (SKU)	7230200
Colour	Black
EAN single box	8712285317286
TÜV certified	Yes
Tilt	Tilt up to 20°
Guarantee	5 years
Max. weight load (kg/Lbs)	30 / 66.14
Max. bolt size	M6
Max. height of interface (mm)	160
Max. width of interface (mm)	251
Max. screen size (inch)	32
Min. screen size (inch)	23

VOGEL'S HOLDING BV (©)

All rights reserved.
Subject to printing errors,
technical and price
amendments.

Date: 2023-01-27



Vogel's. For Sure.