

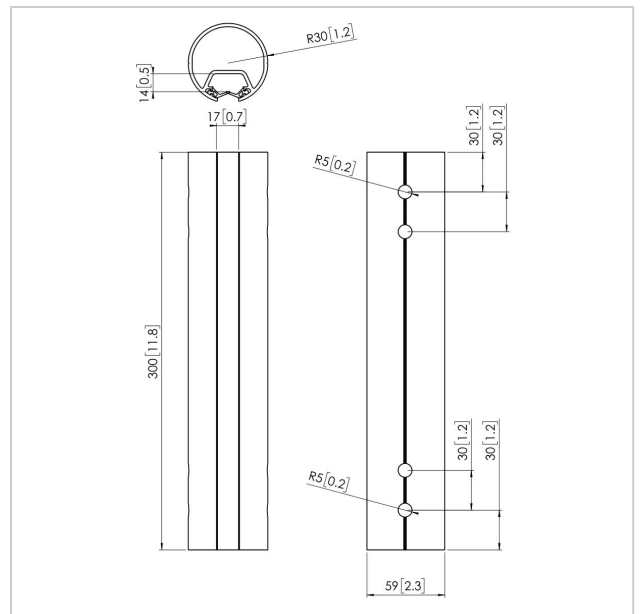
PFA 9016 Pole Silver

Article number (SKU)
Colour

7390164
Silver

The PFA 9016 30 cm extension tube can be used to mount LCD/Plasma TV's and/or projectors to the ceiling (in combination with other modular parts).

The PFA 9016 30 cm extension tube (with an external diameter of 60 mm) is part of a modular system which enables you to create your own ceiling mounting solution for LCD TV's and/or projectors. The PFA 9016 contains the fast Cable Inlay System, which enables you to hide all the cables in a matter of seconds. Since it's made of aluminium, the tube can easily be cut to length if necessary.





PFA 9016 Pole Silver

www.vogels.com

VOGEL'S HOLDING BV 2019 (c) All rights reserved.
Subject to printing errors, technical and price amendments.
Date: 2019-05-14

Specifications

Product type number	PFA 9016
Article number (SKU)	7390164
Colour	Silver
EAN single box	8712285307768
Length	300
TÜV certified	Yes
Guarantee	5 years
Max. weight load (kg)	60

