

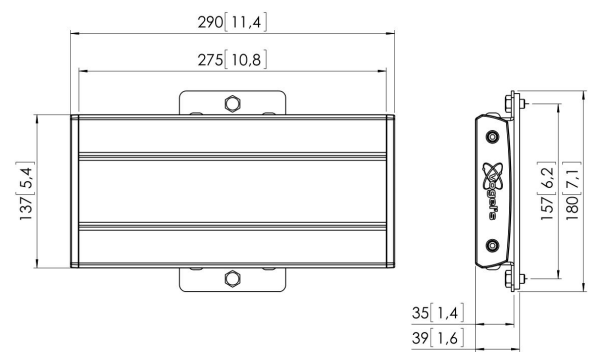


PFB 3402B Display Interface Profile

Key Benefits

- Endlessly expandable
- Modular
- Quick and easy installation

The PFB 3402 interface bar is part of the modular Connect-it system with which you can create your own ceiling, floor or wall solution.





PFB 3402B Display Interface Profile

Specifications

Min. horizontal hole pattern (mm)	100
Max. horizontal hole pattern (mm)	225
Max. height of interface (mm)	180
Max. width of interface (mm)	290
Max. depth of interface (mm)	35
Max. weight load on pole (kg)	80
Max. weight load on wall (kg)	53
Height options	Fixed height Fixed height (screw) Manually adjustable height
Width	290
Article number (SKU)	7234020
EAN single box	8712285329401
Colour	Black
Certifications	TAA TÜV
TÜV certified	Yes
Guarantee	5 years

VOGEL'S HOLDING BV (©)

All rights reserved.
Subject to printing errors,
technical and price
amendments.

Date: 2025-01-27



Vogel's. For Sure.