



## FE5064B Motorized floor stand 50 cm

Article number (SKU)  
Colour

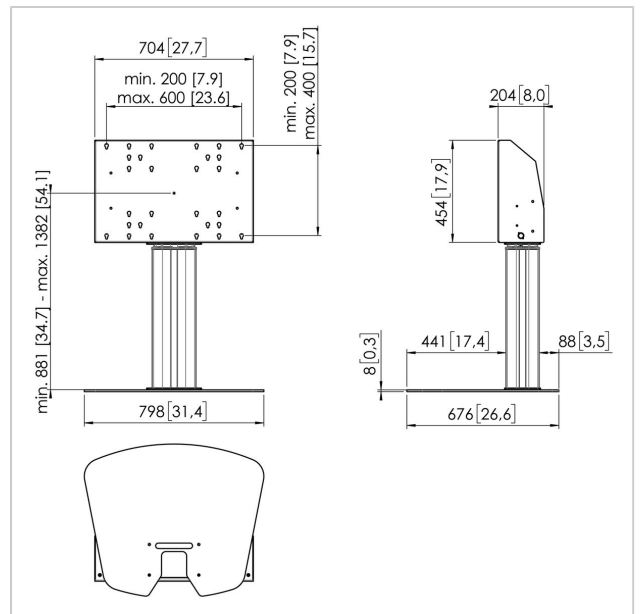
7950640  
Black

### Key Benefits

- Easy install
- Adjustable in height up to 50 cm

### Motorized floor Stand kit FE5064

Display size: Fitment: 600x400 Max load: 120 kg / 264 lbs Kit consists of: • 1x PFF 7025 Floor plate • 1x PFFE 7105 Motorized display lift 50 cm • 1x PFI 3061 Interface box for PFFE 7105/7106 Use the optional PFA 9119 electronic safety strip to prevent damage when the movement is blocked by an object.





## FE5064B Motorized floor stand 50 cm

[www.vogels.com](http://www.vogels.com)



VOGEL'S HOLDING BV 2019 (c) All rights reserved.  
Subject to printing errors, technical and price amendments.  
Date:2020-08-26

## Specifications

Product type number	FE5064
Article number (SKU)	7950640
Colour	Black
EAN single box	8712285343728
Width	798
Depth	676
Guarantee	5 years
Min. screen size (inch)	40
Max. screen size (inch)	90
Max. weight load (kg)	120
Certifications	CE
Max. distance to floor - center display (mm)	1382
Min. distance to floor - center display (mm)	881
Motorized	True
Remote controlled	Yes
Travel	500