



THIN 595 Stud Adapter for TV Mounts

Article number (SKU)
Colour

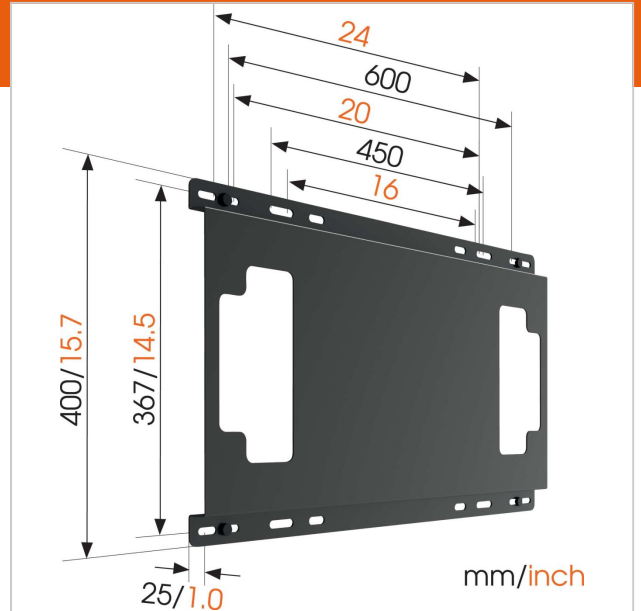
8395950
Black

Installing a TV bracket on a hollow wall

The Vogel's stud adapter is designed especially for (metal frame) hollow walls, so you can also mount a THIN wall bracket on these types of wall. Suitable for the THIN 550, THIN 546, THIN 545 and THIN 525. Suitable for hollow wall frames up to 600 mm apart.

Mount your TV securely on a hollow wall

Is the ideal mounting position for your TV right in the middle of a hollow wall? We have the solution! The THIN 595 stud adapter allows you to install your TV wall mount securely on a hollow wall. For 16", 20", 24", 450 and 600mm stud placement. Thick 2 mm steel achieves a 154 lbs loading capacity. Increased cable management options. For use with THIN 550, THIN 546, THIN 545 and THIN 525. Available in black powder coated finish. Note: mounting hardware for metal studs not included. Contact your local your installer and/or specialist supplier for the correct mounting materials.





THIN 595 Stud Adapter for TV Mounts

www.vogels.com

VOGEL'S HOLDING BV 2019 (c) All rights reserved.
Subject to printing errors, technical and price amendments.
Date: 2019-02-13

Specifications

Product type number	THIN 595
Article number (SKU)	8395950
Colour	Black
EAN single box	8712285335228
TÜV certified	Yes
Guarantee	Lifetime
Max. weight load (kg)	70
Product group	Double stud adapter
Product line	THIN

